

(12) UK Patent Application (19) GB (11) 2 297 988 (13) A

(43) Date of A Publication 21.08.1998

(21) Application No 9607652.6
 (22) Date of Filing 06.08.1993
 Date Lodged 12.04.1998
 (30) Priority Data
 (31) 927547 (32) 07.08.1992 (33) US
 (52) Derived from Application No. 9406281.9 under Section 15(4) of the Patents Act 1977

(51) INT CL⁶
 E21B 7/08
 (52) UK CL (Edition 0)
 E1F FAB FCU
 (56) Documents Cited
 US 5115872 A US 5113938 A
 (58) Field of Search
 UK CL (Edition 0) E1F FAB FCU
 INT CL⁶ E21B

(71) Applicant(s)
 Baker Hughes Incorporated
 (Incorporated in USA - Delaware)
 3900 Essex Lane, Suite 800, Houston, Texas 77027,
 United States of America
 (72) Inventor(s)
 Mark W Brockman
 L Cameron White
 Douglas J Murray
 Jeffrey D Cockrell
 Robert J McNeil

(74) Agent and/or Address for Service
 Boul Wade Tannant
 27 Finsbury Street, LONDON, EC4A 1PQ,
 United Kingdom

(54) Method and apparatus for locating and re-entering one or more horizontal wells using whipstocks

(57) A well completion system having a primary borehole 66 and one or more branch boreholes 68,70 is provided with a whipstock 72 at the junction between each branch borehole 68,70 and the primary borehole 66, each whipstock 72 having a through bore fitted with a removable plug 80 which allows selective access to either the primary borehole 66 (plug 80 removed) or to the branch borehole 68 or 70 (plug 80 installed).

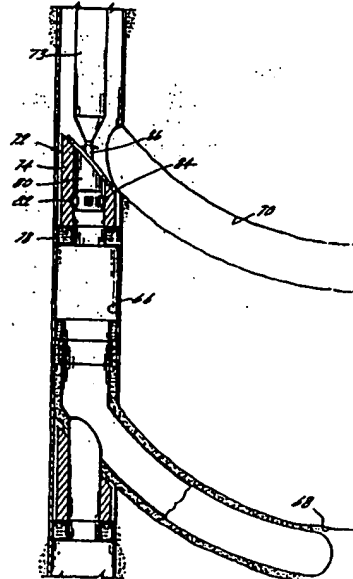


FIG. 4A

GB 2 297 988 A

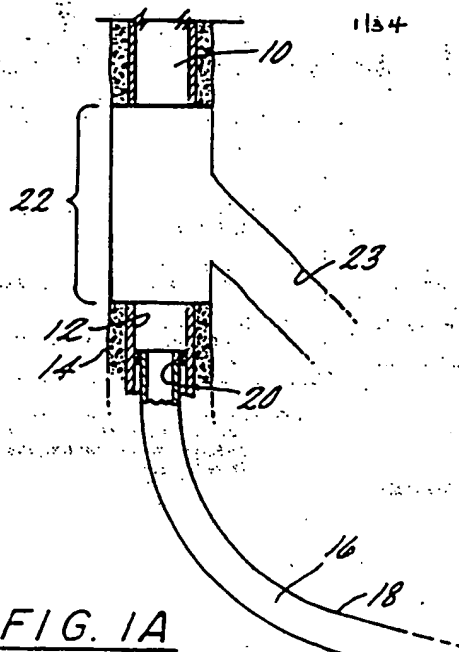


FIG. 1A

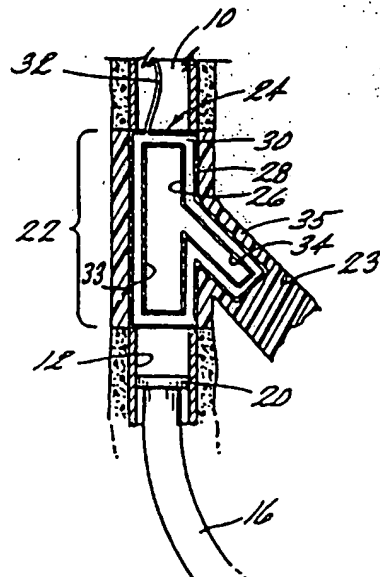


FIG. 1B

2/24



FIG. 2C

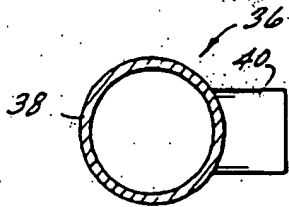


FIG. 2B

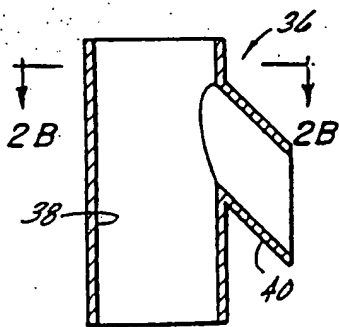


FIG. 2A

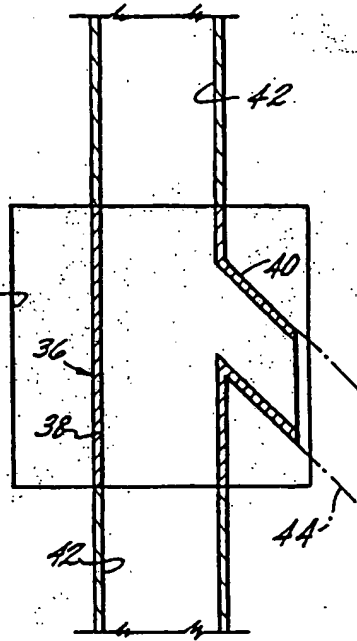


FIG. 2D

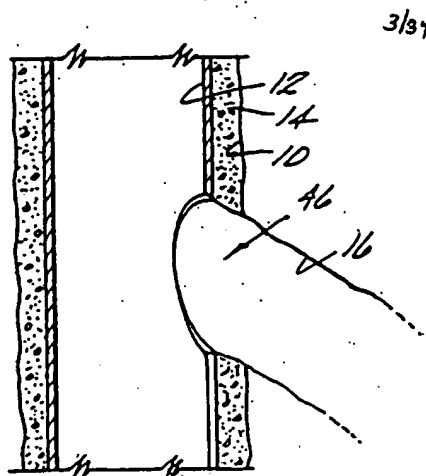


FIG. 3A

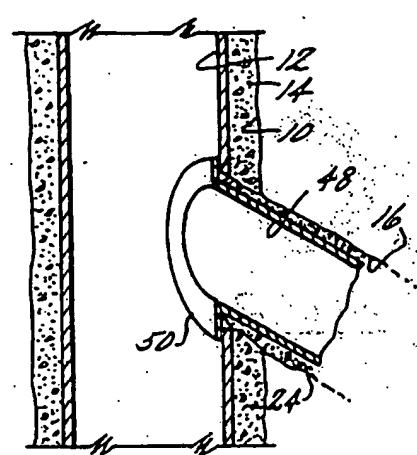


FIG. 3B

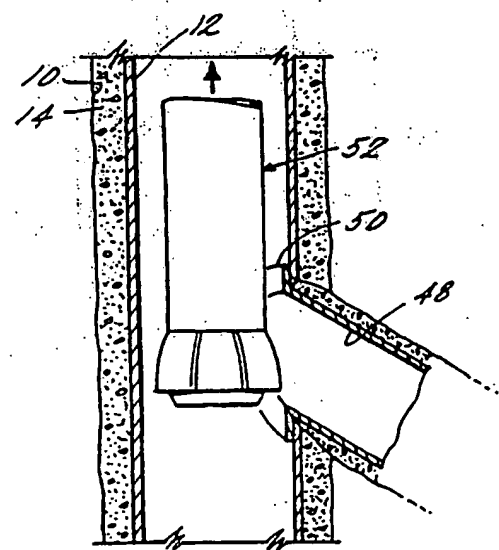


FIG. 3C

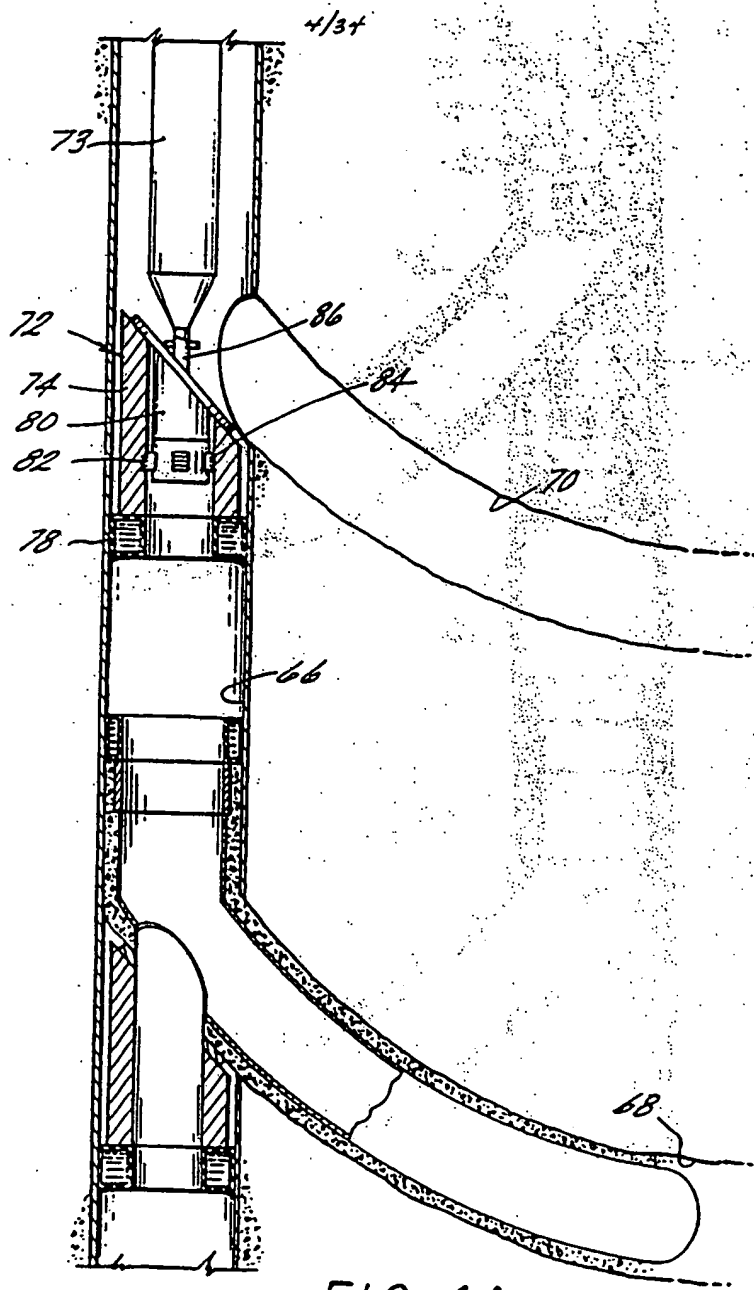


FIG. 4A

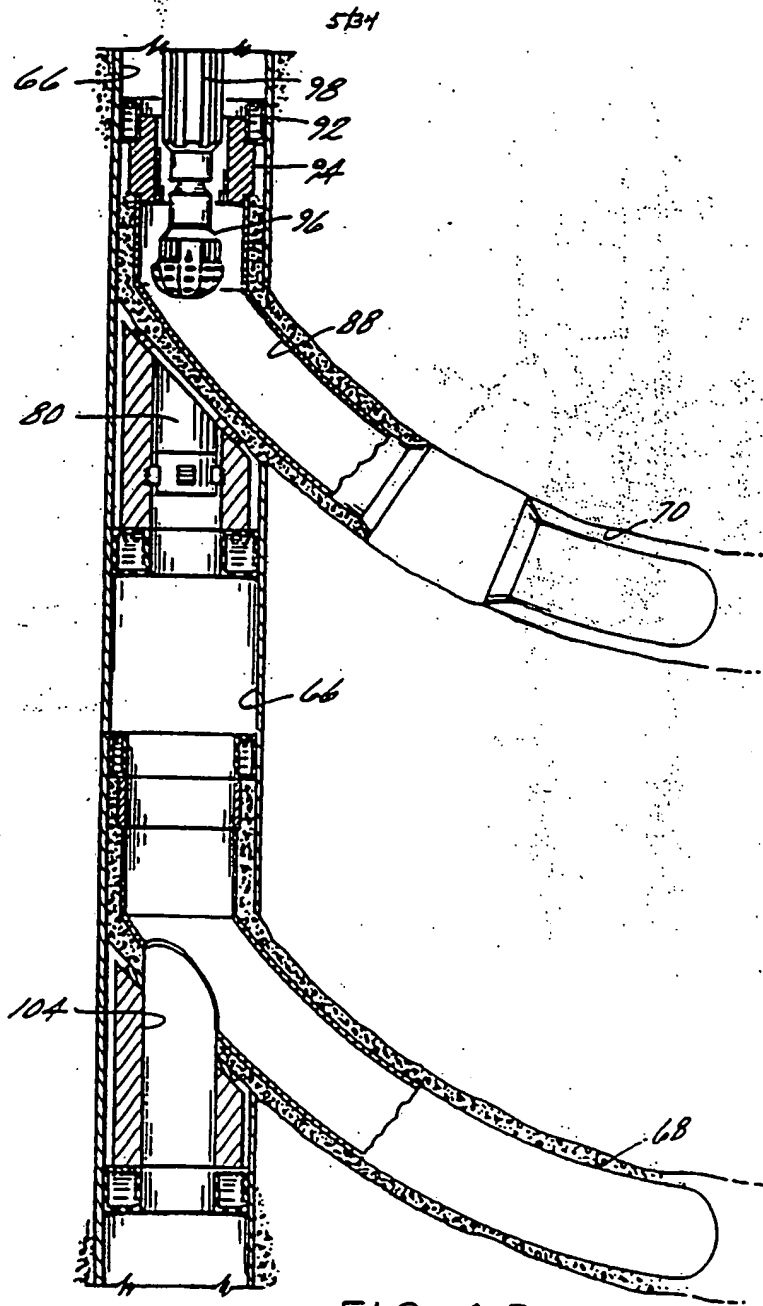


FIG. 4 B

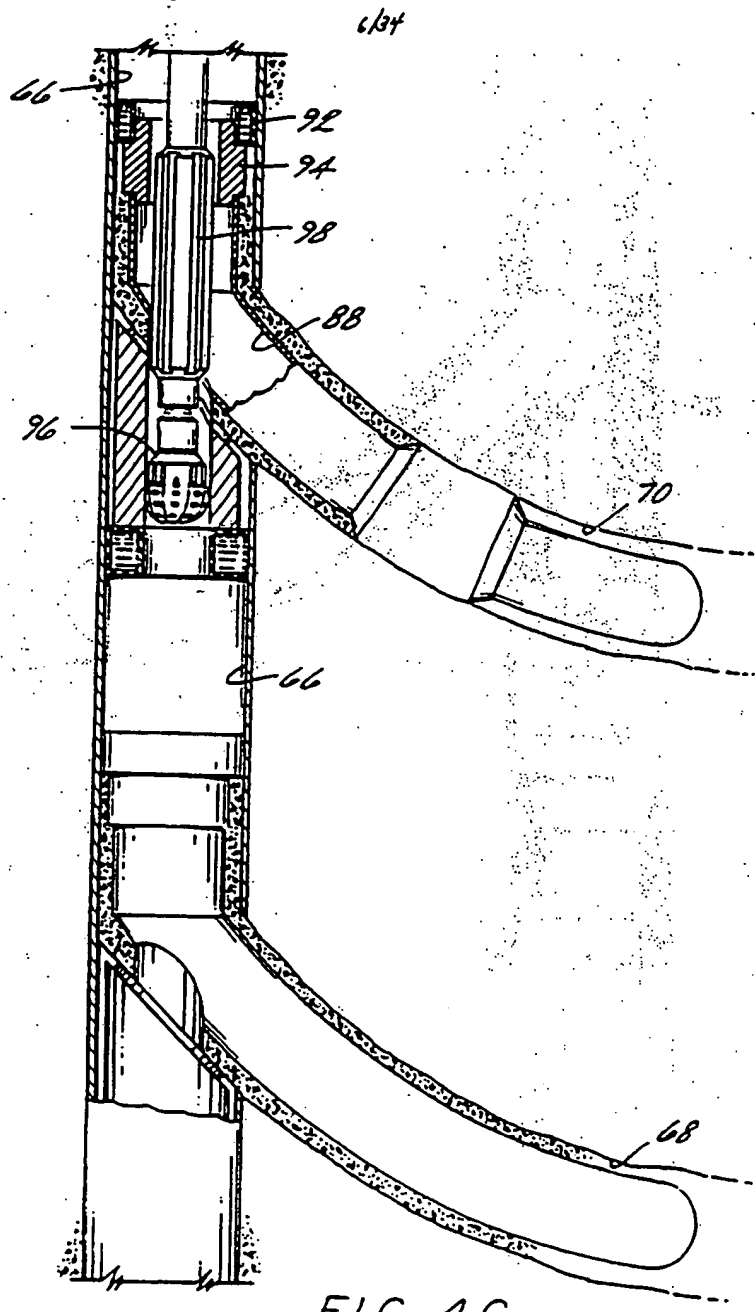


FIG. 4C

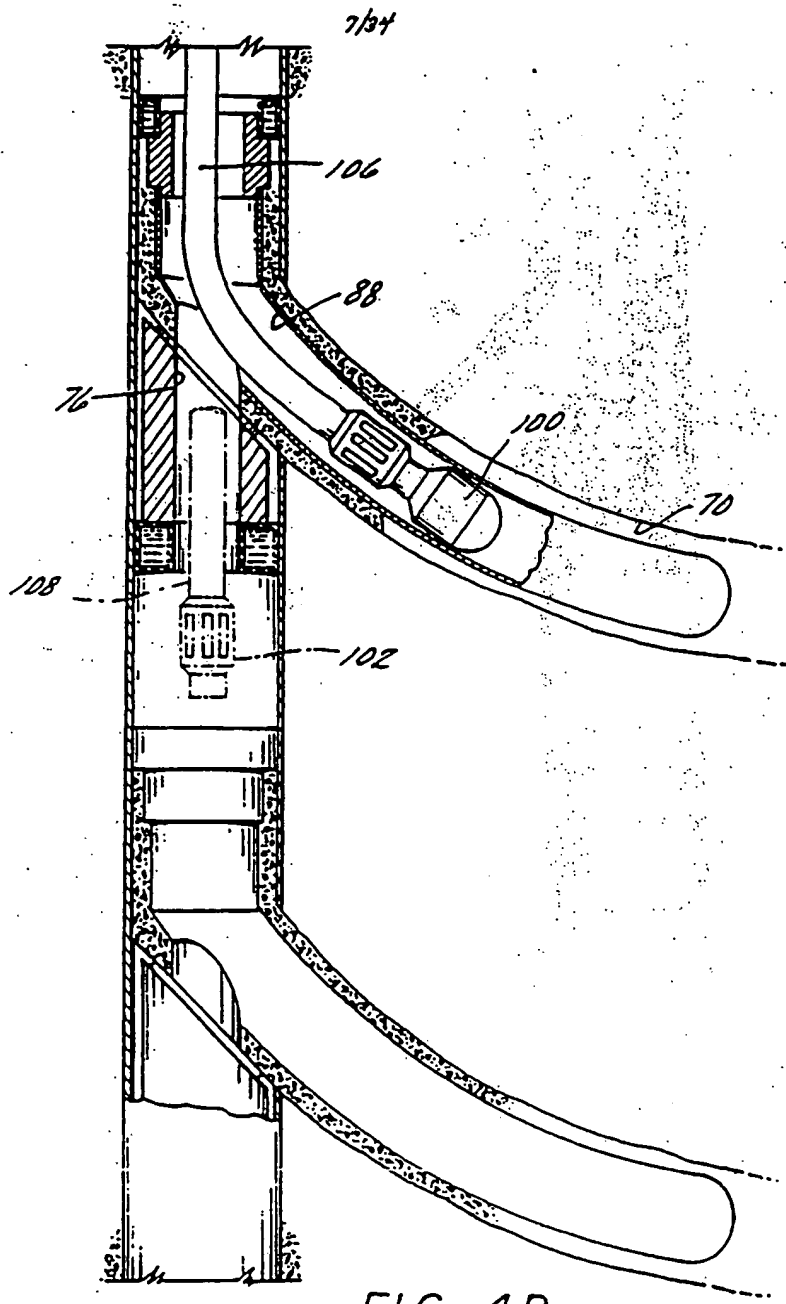


FIG. 4D

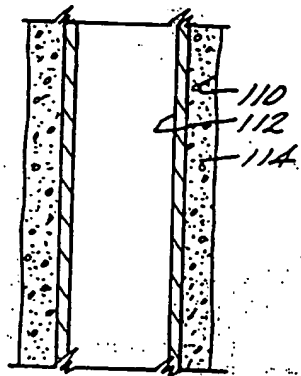


FIG. 5A

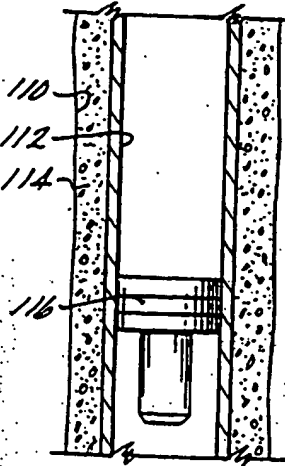


FIG. 5B

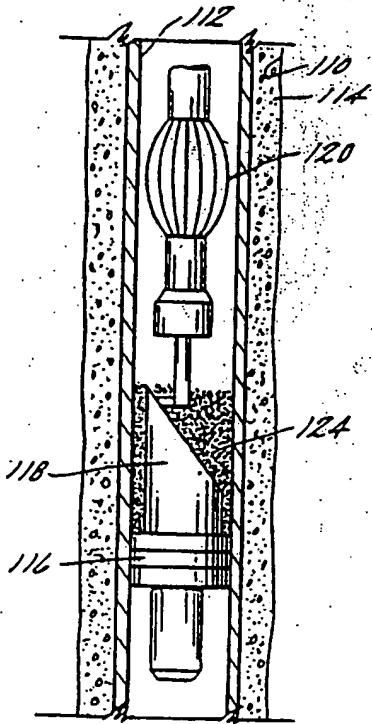


FIG. 5C

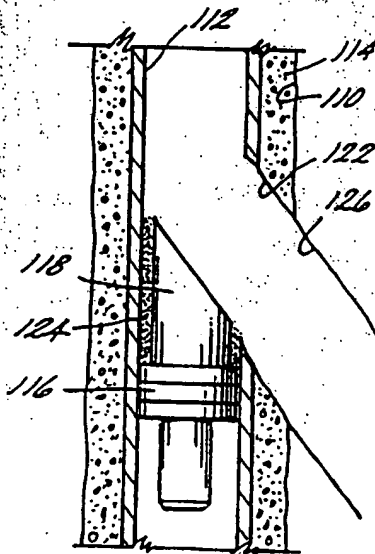


FIG. 5D

9/37

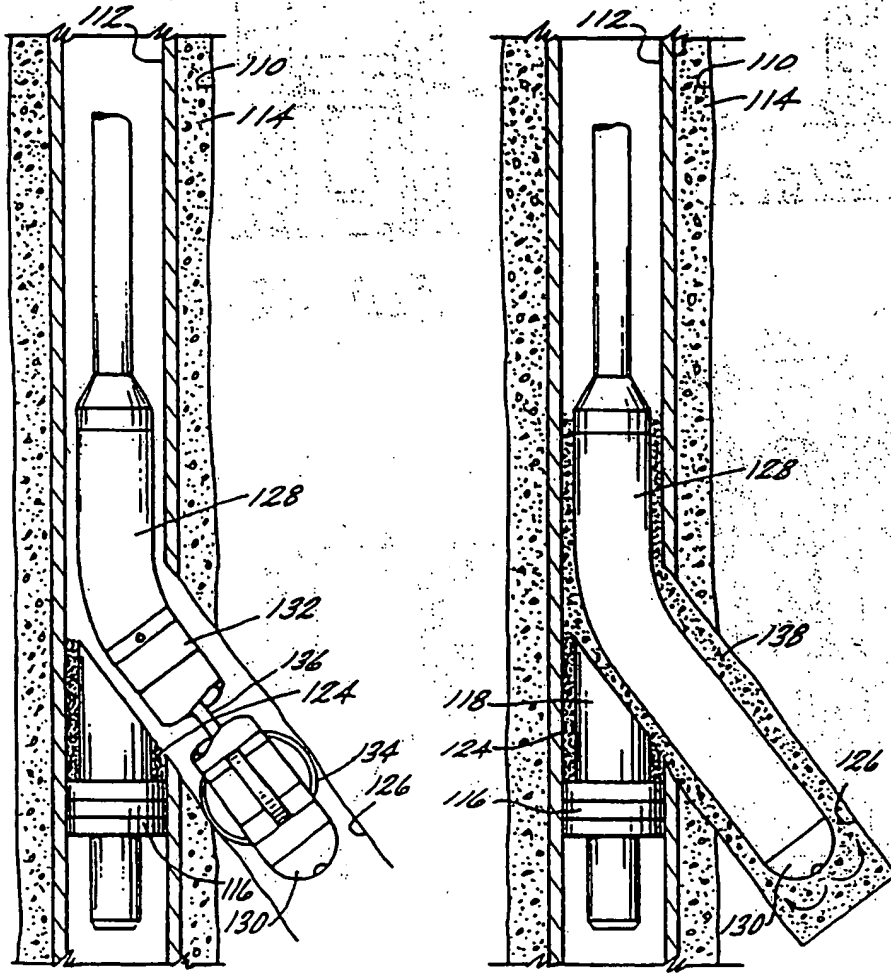


FIG. 5E

FIG. 5F

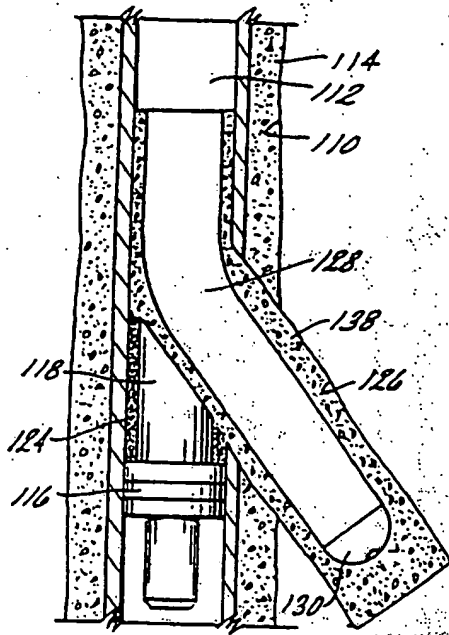


FIG. 5G

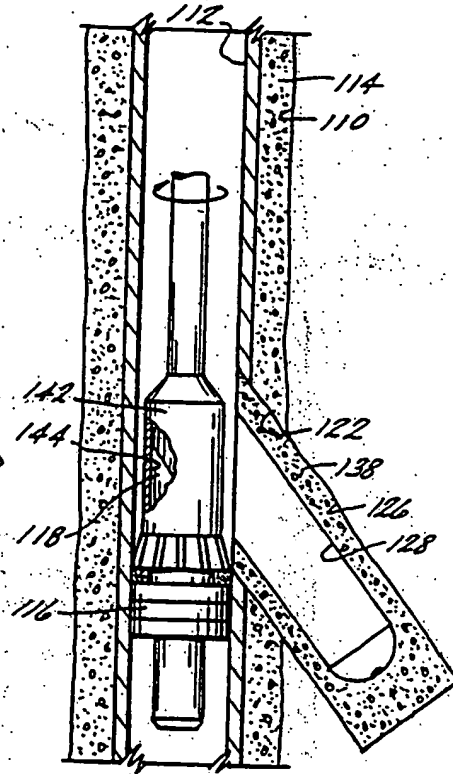


FIG. 5H

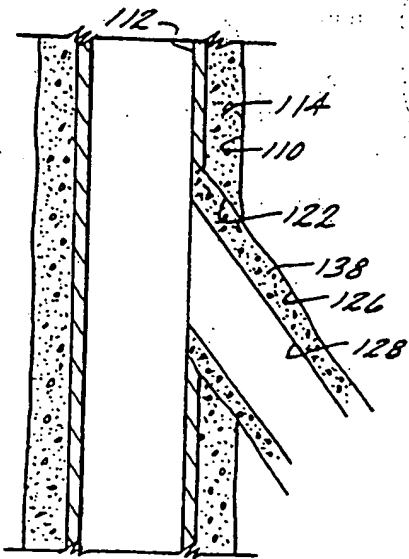


FIG. 5I

11/87

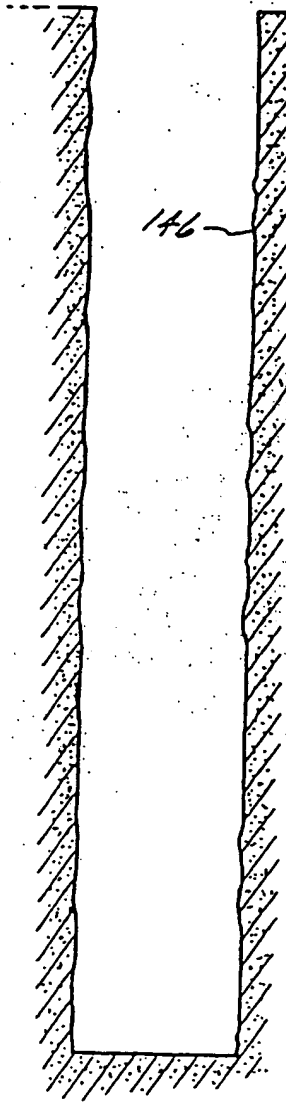


FIG. 6A

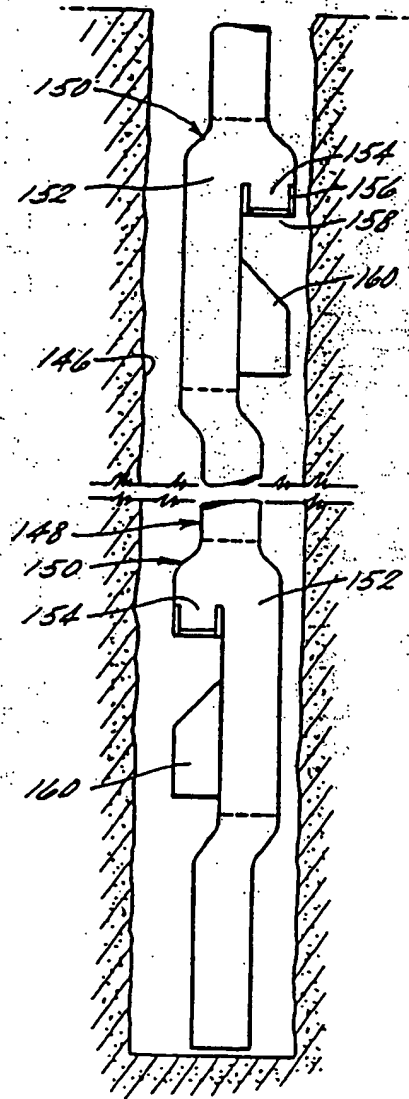


FIG. 6B

12/34

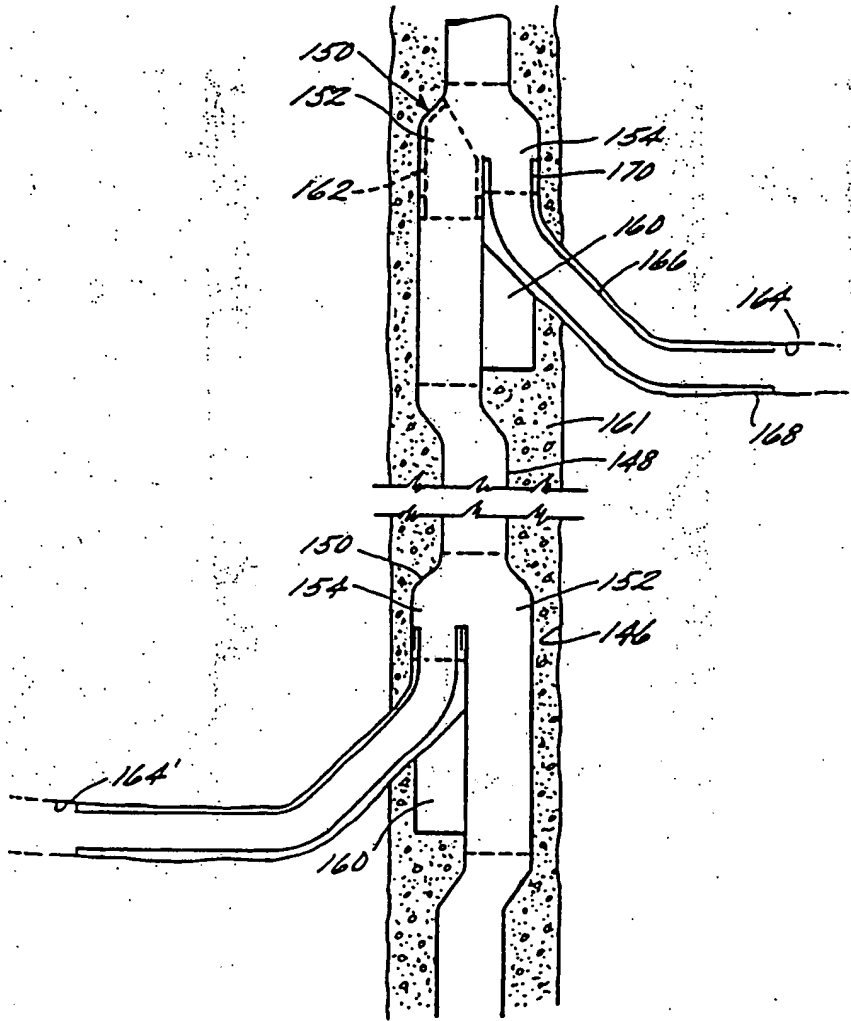


FIG. 6C

13/24

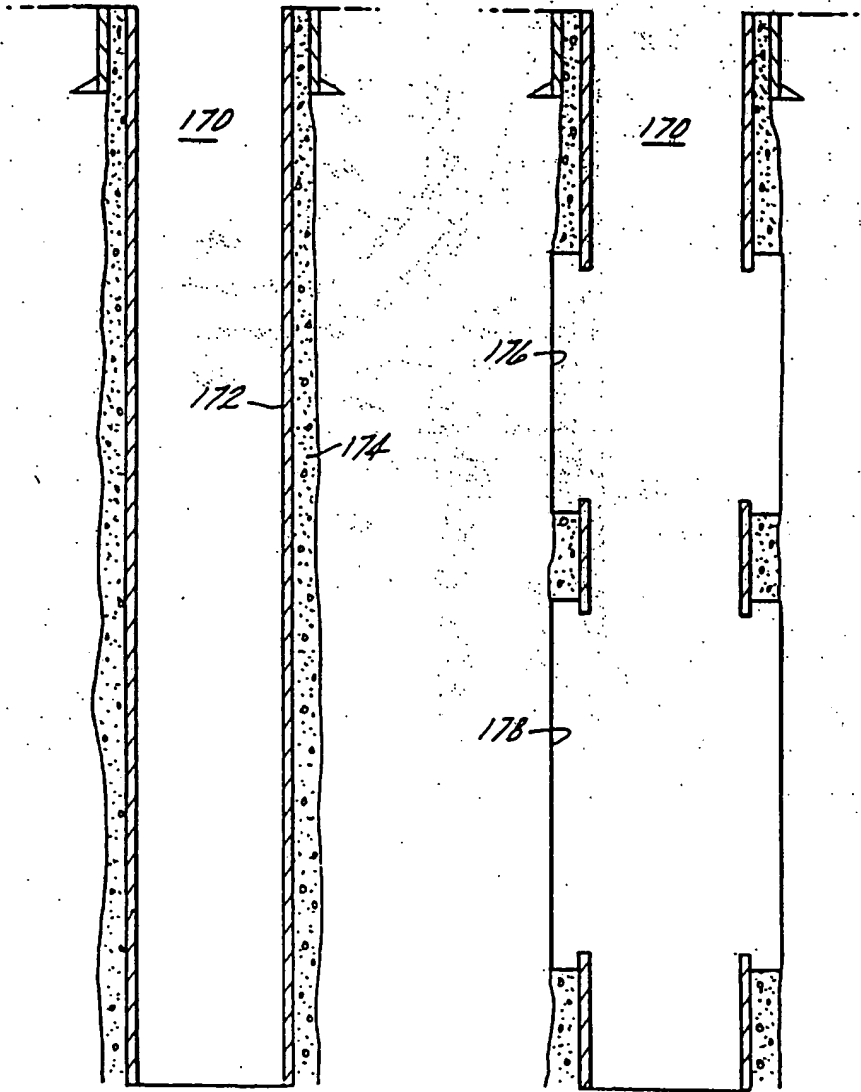


FIG. 7A

FIG. 7B

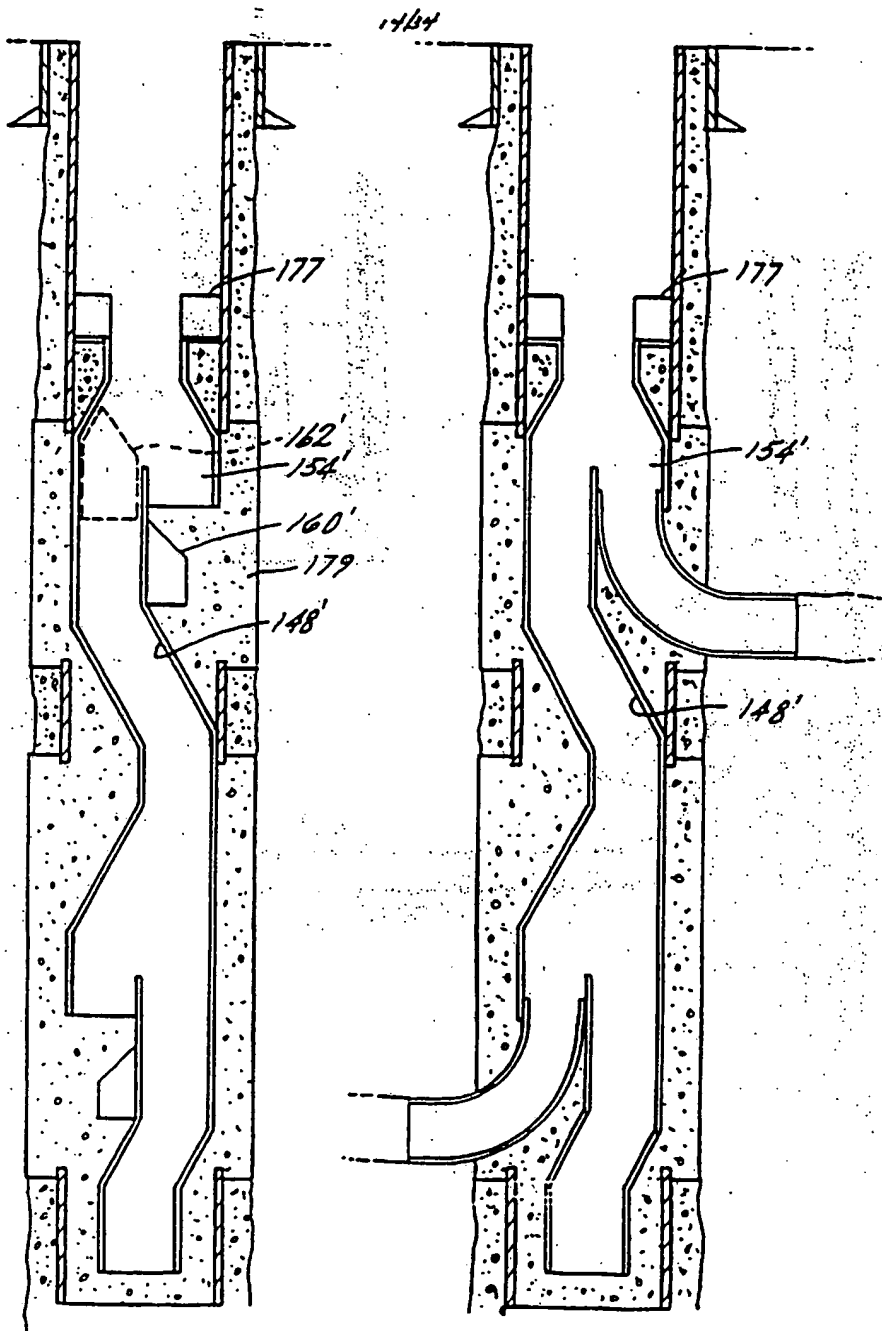


FIG. 7C

FIG. 7D

15/34

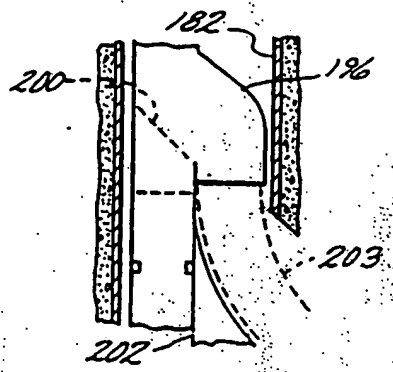
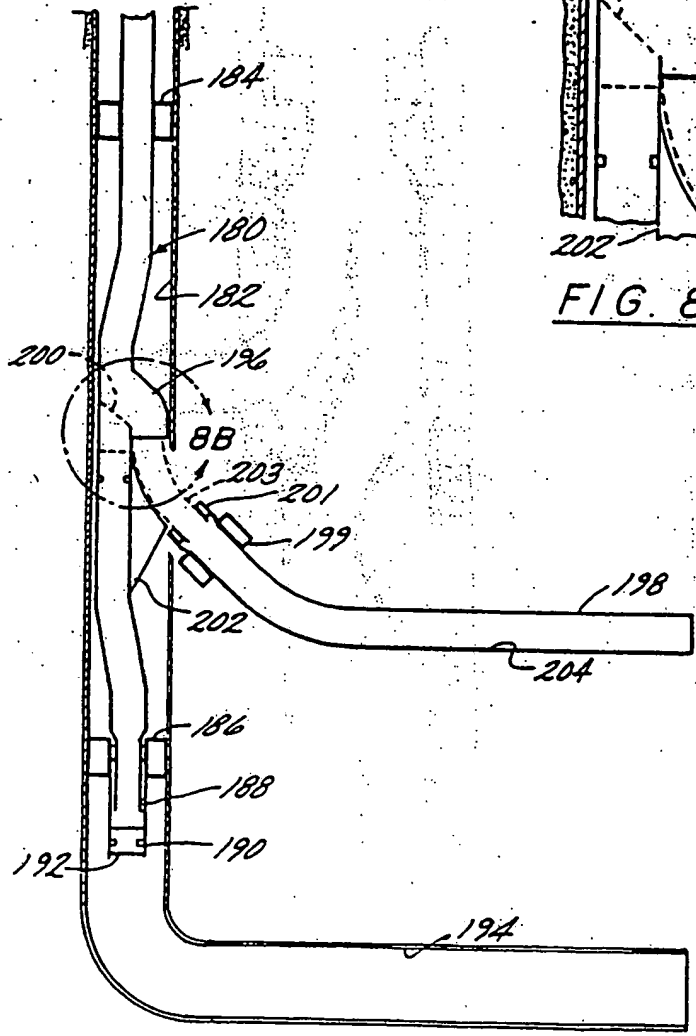


FIG. 8B

FIG. 8A

16/34

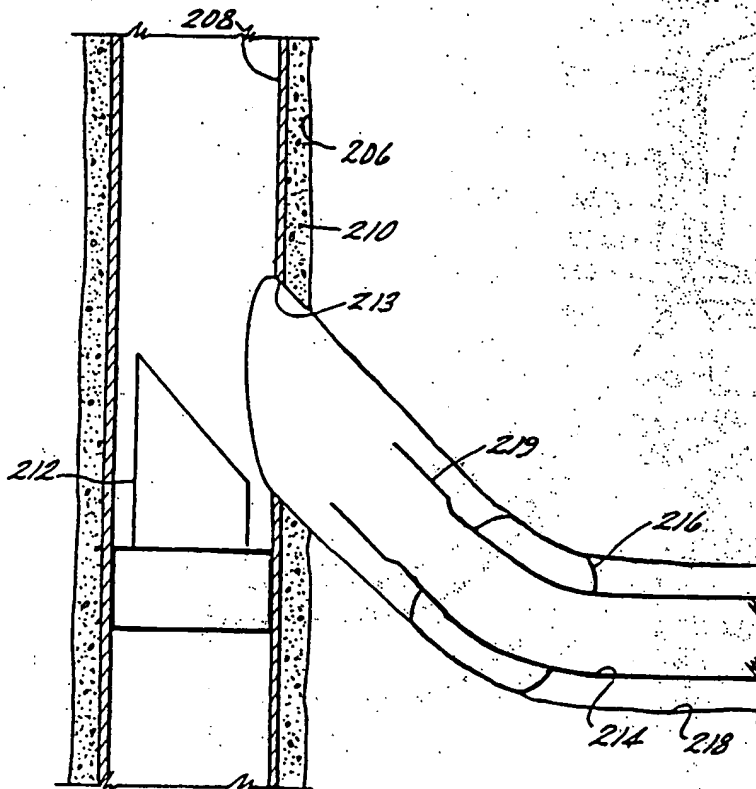


FIG. 9A

1734

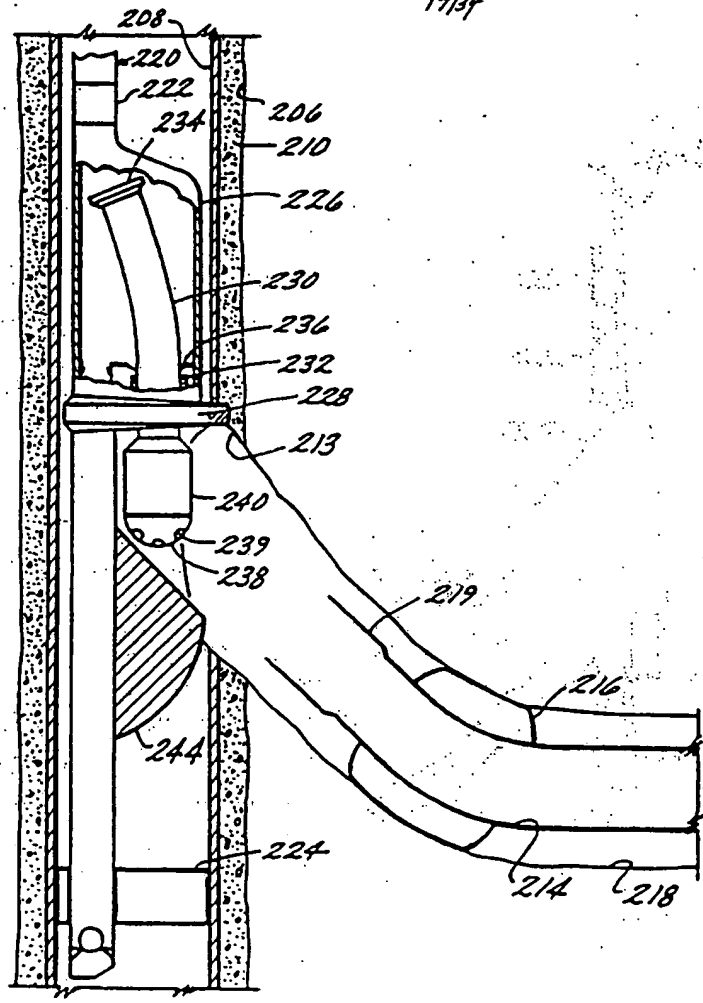


FIG. 9B

18/34

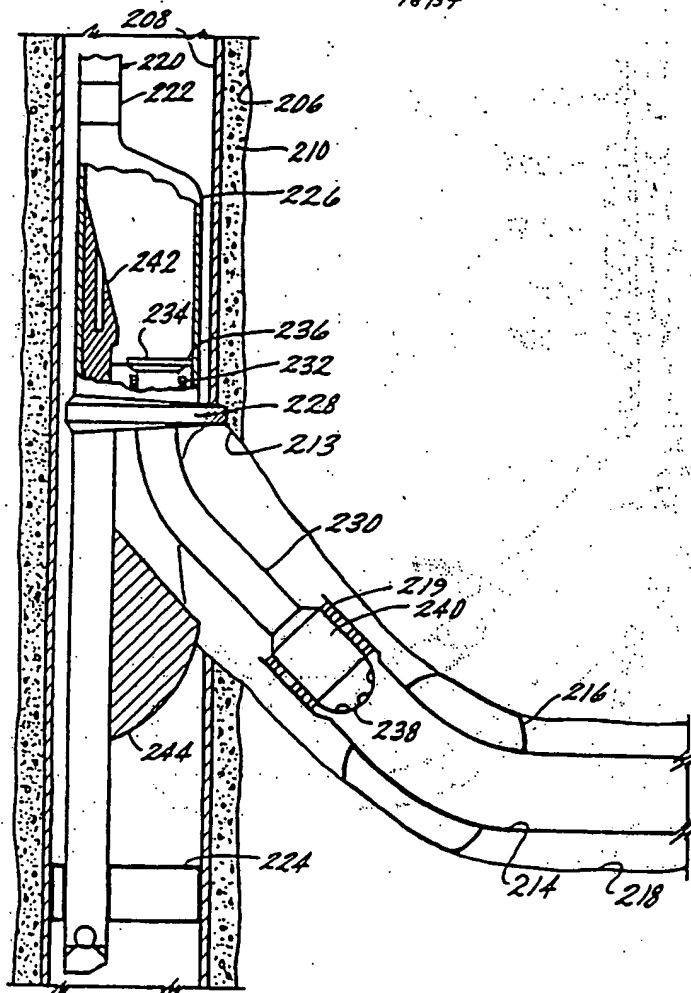


FIG. 9C

1934

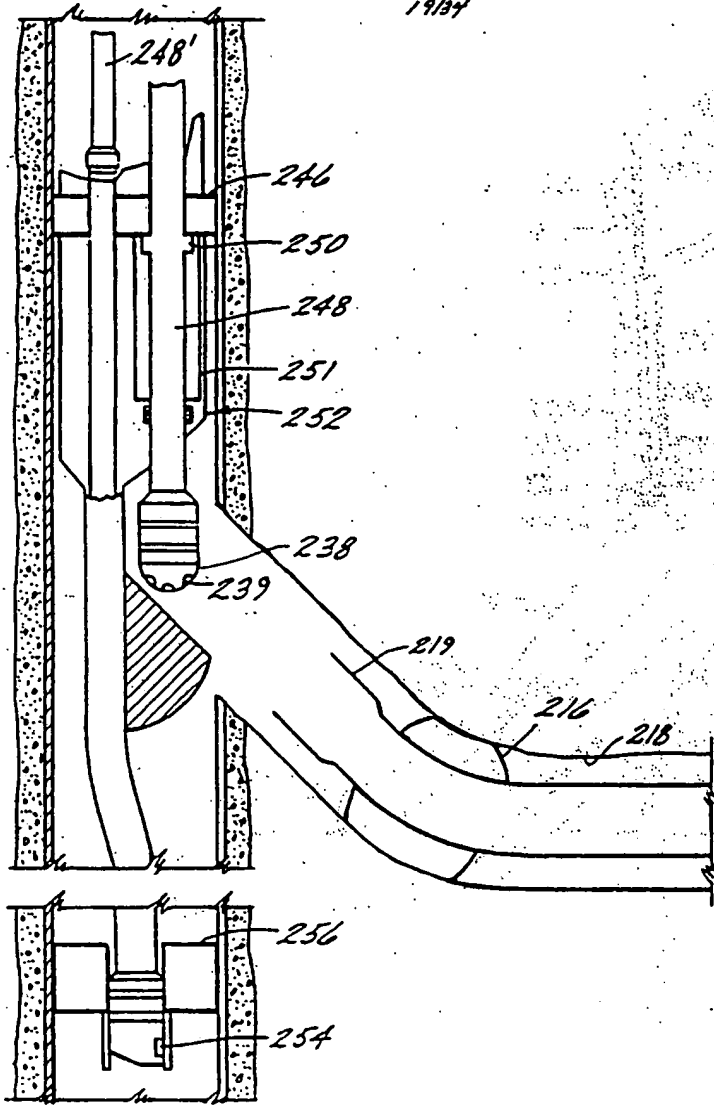


FIG. 10A

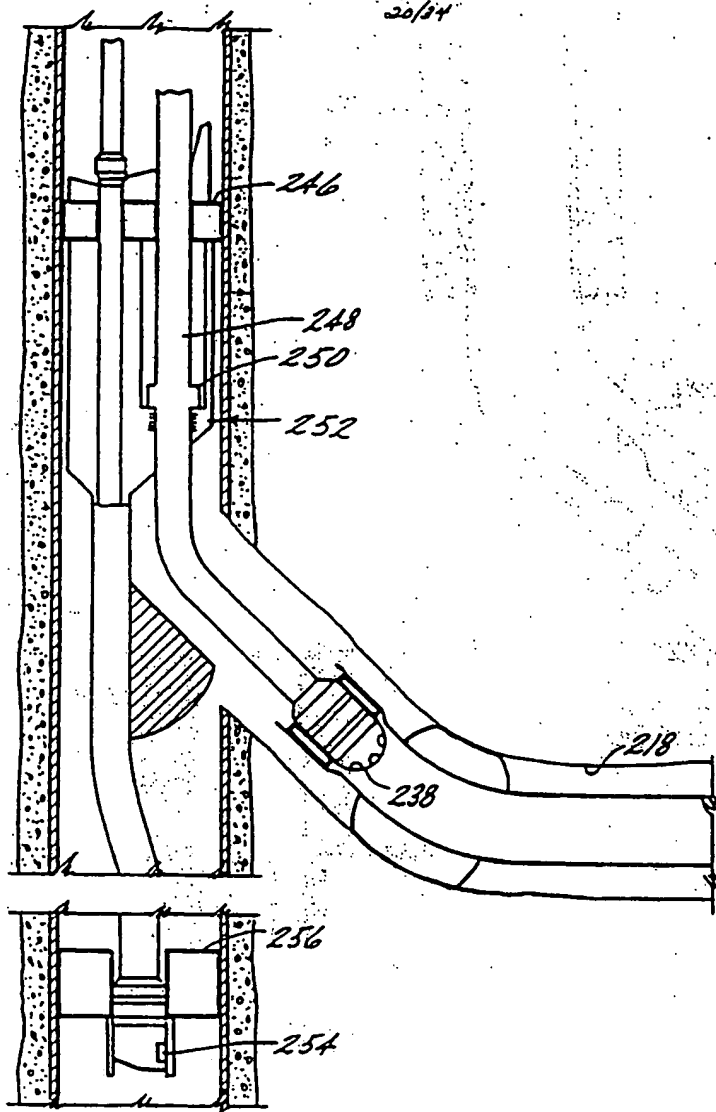


FIG. 10B

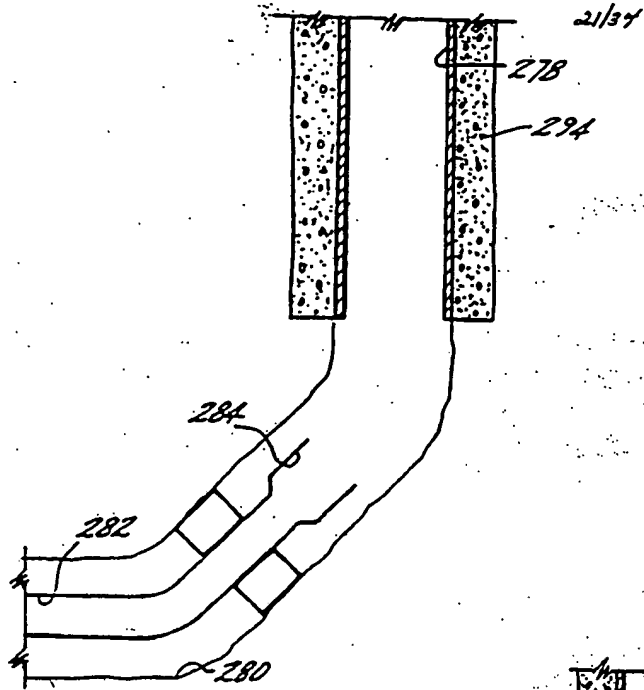


FIG. IIA

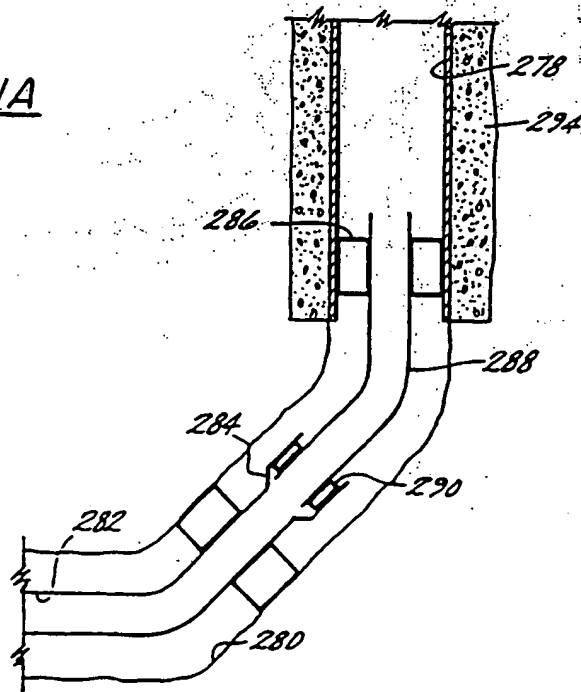


FIG. IIB

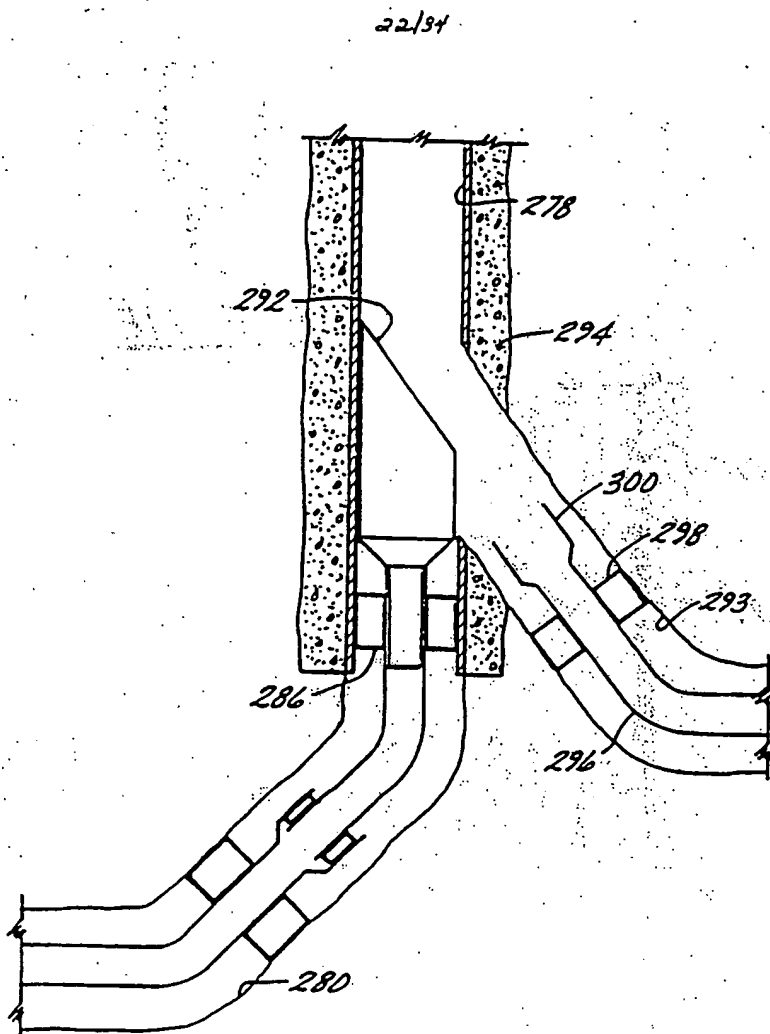


FIG. 11C

23/34

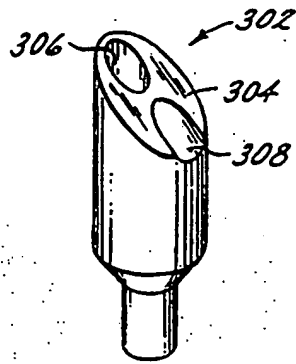


FIG. 11E

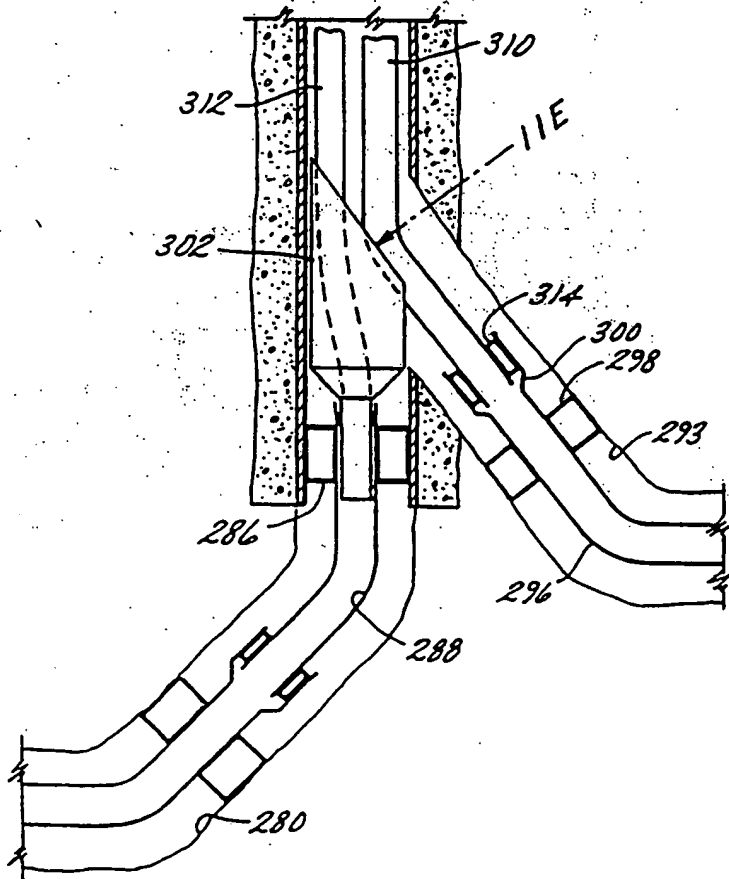


FIG. 11D

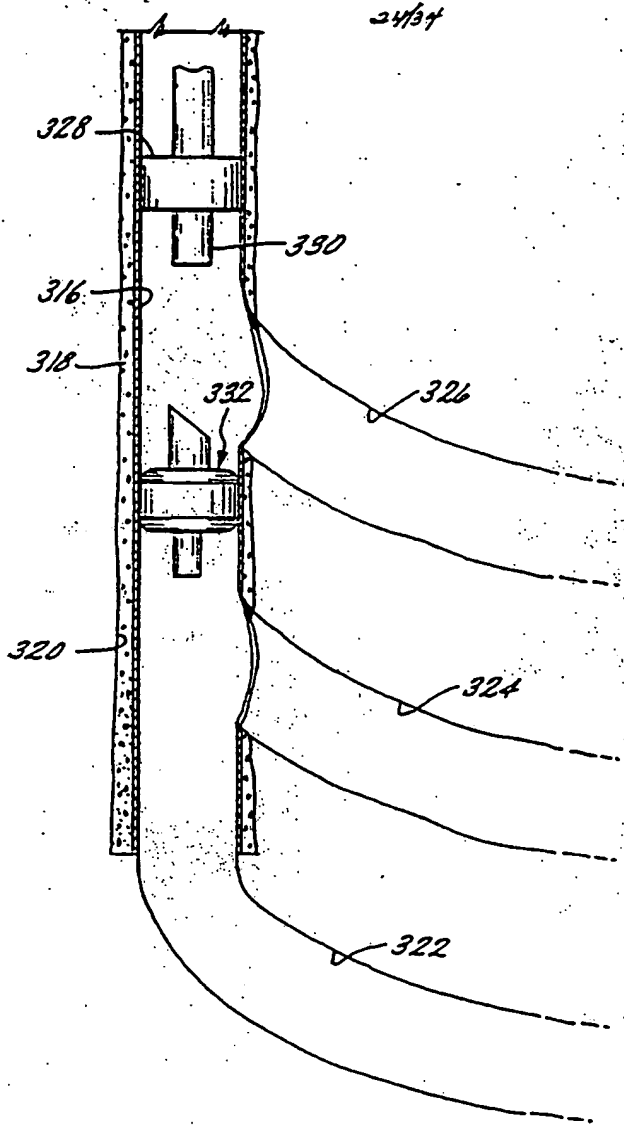


FIG. 12

25/34

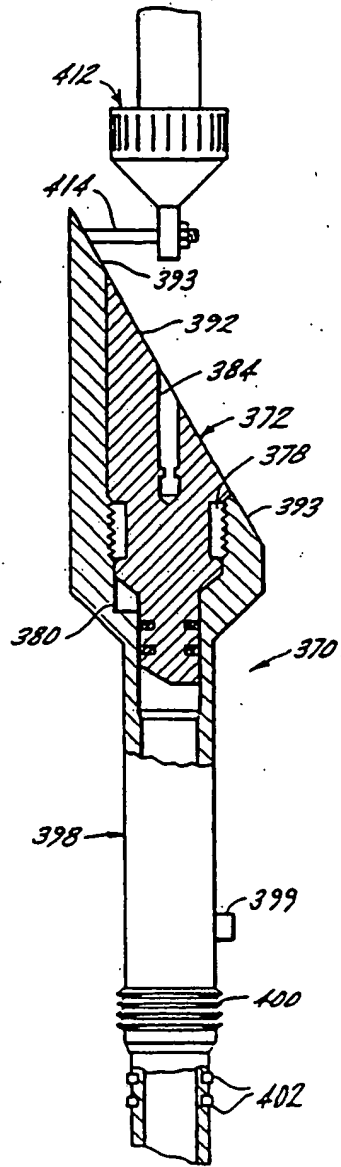


FIG. 13A

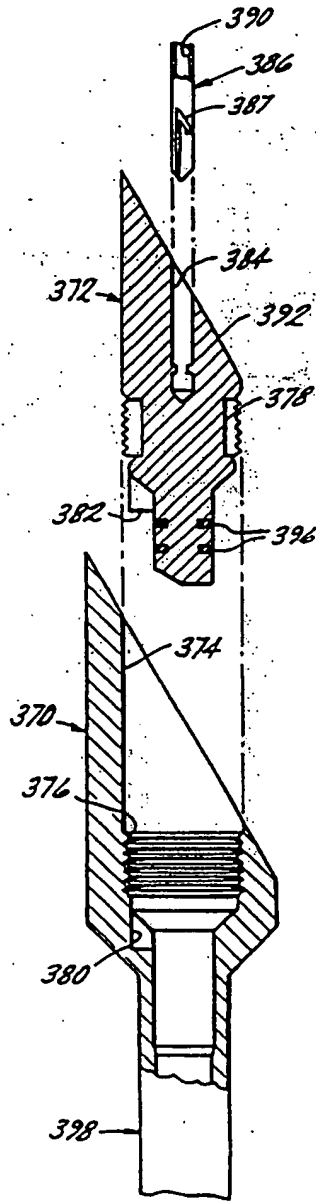


FIG. 13B

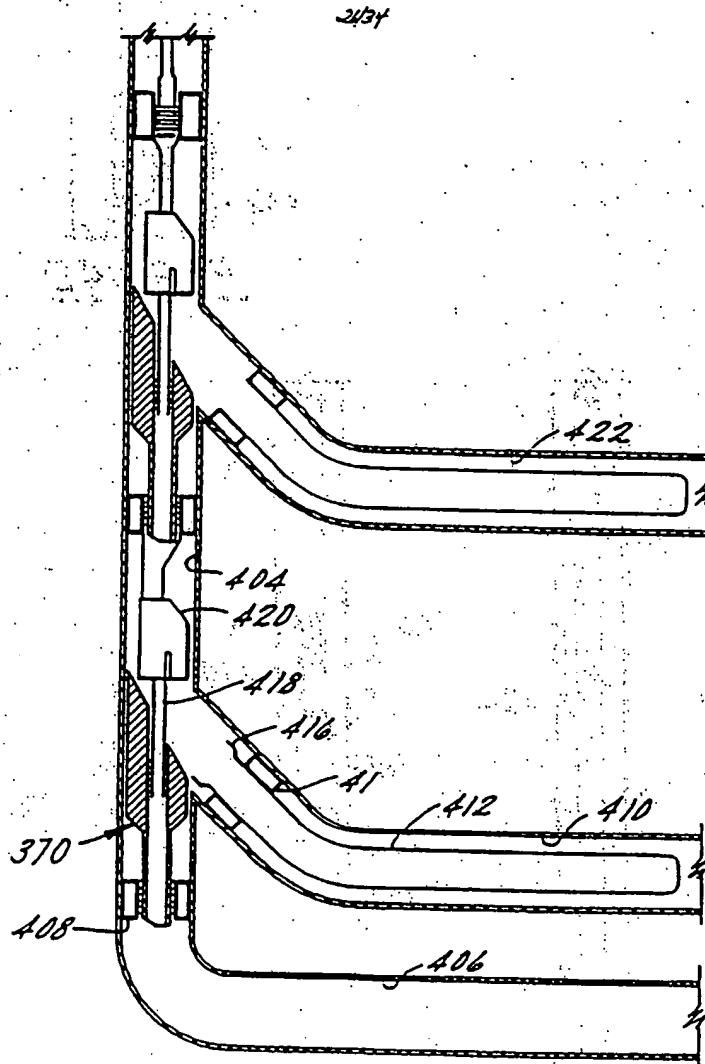


FIG. 13C

27B4

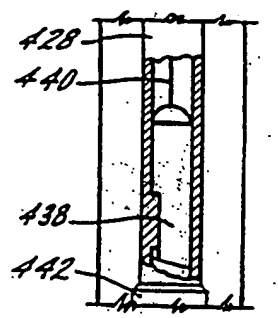


FIG. 14D

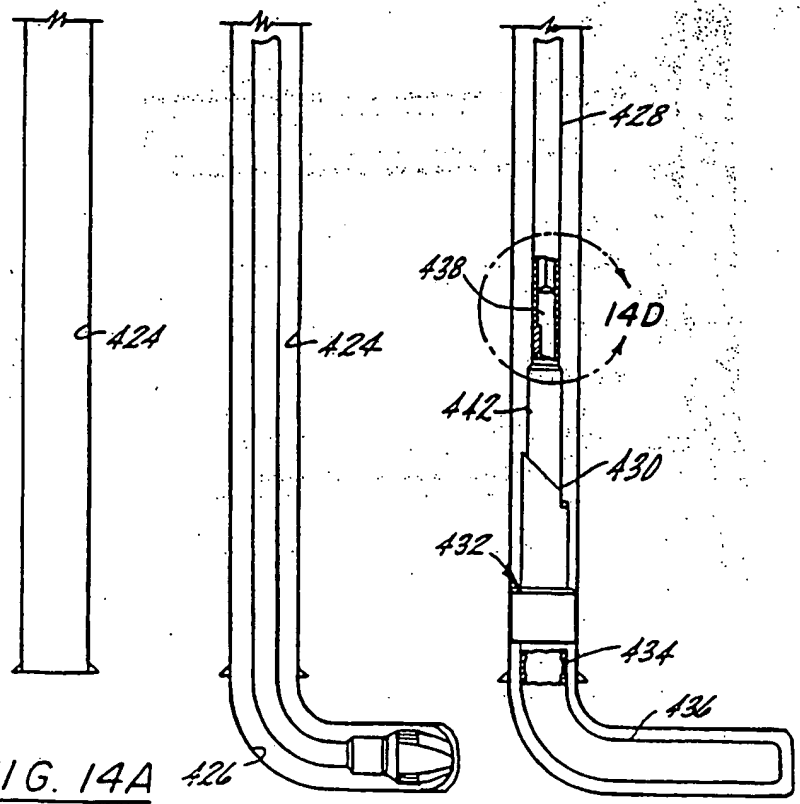


FIG. 14A

FIG. 14B

FIG. 14C

2884

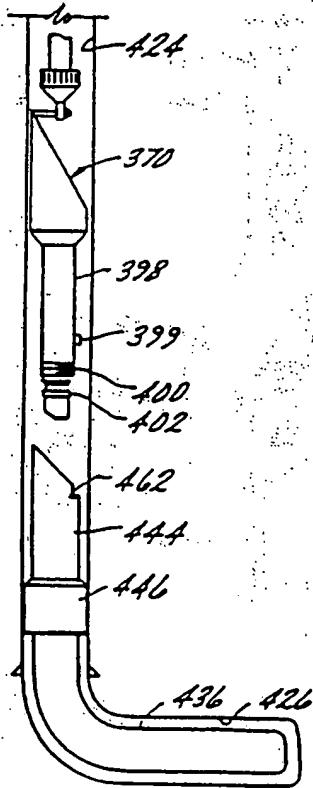


FIG. 14E

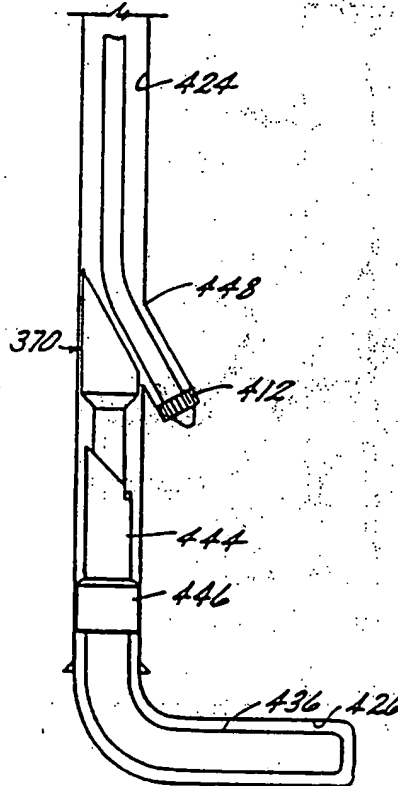


FIG. 14F

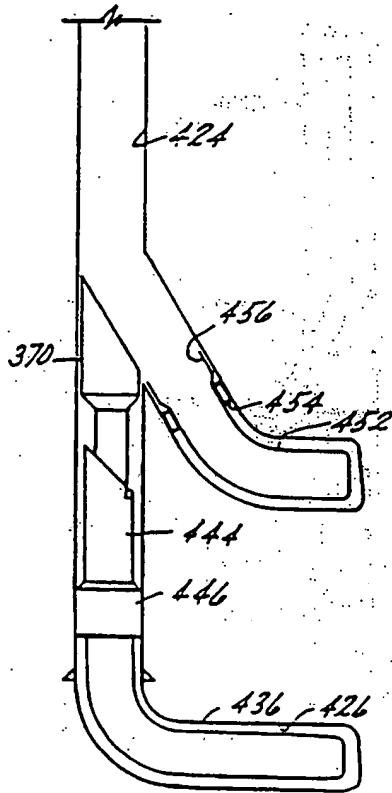


FIG. 14G

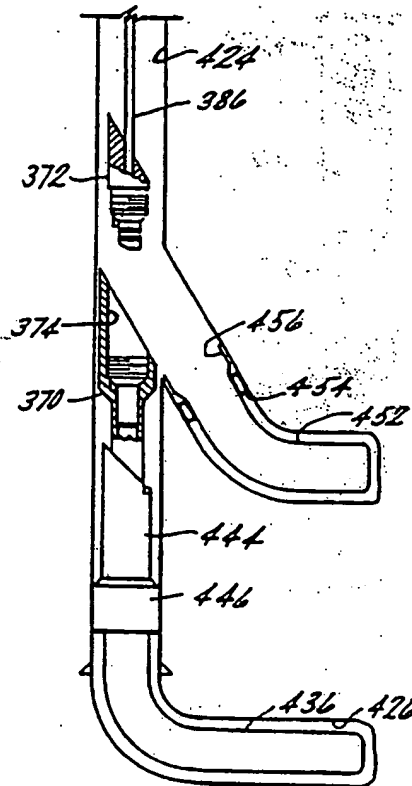


FIG. 14H

30/34

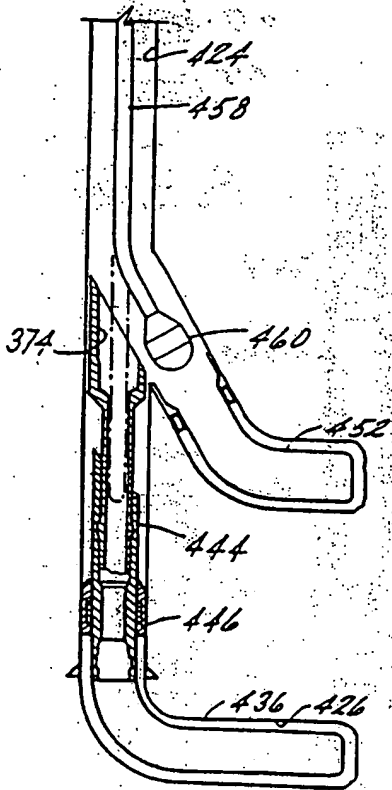


FIG. 14 I

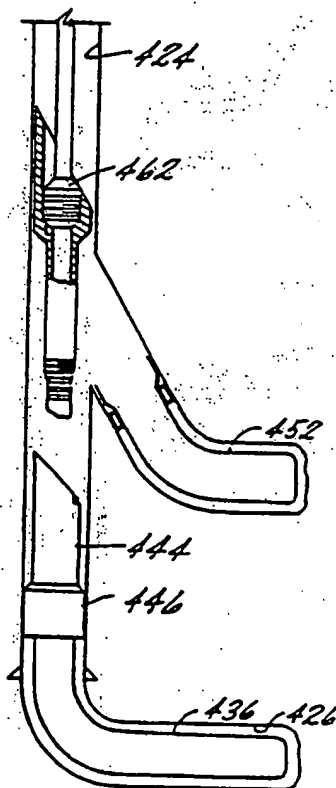


FIG. 14 J

31/34

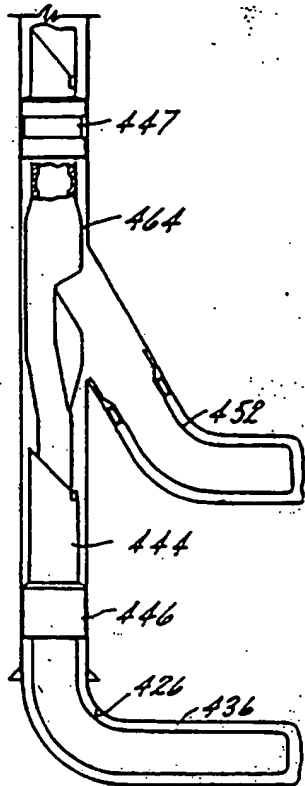


FIG. 14K

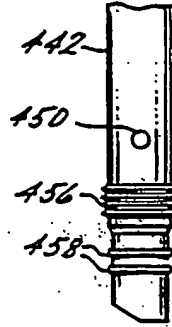


FIG. 15C

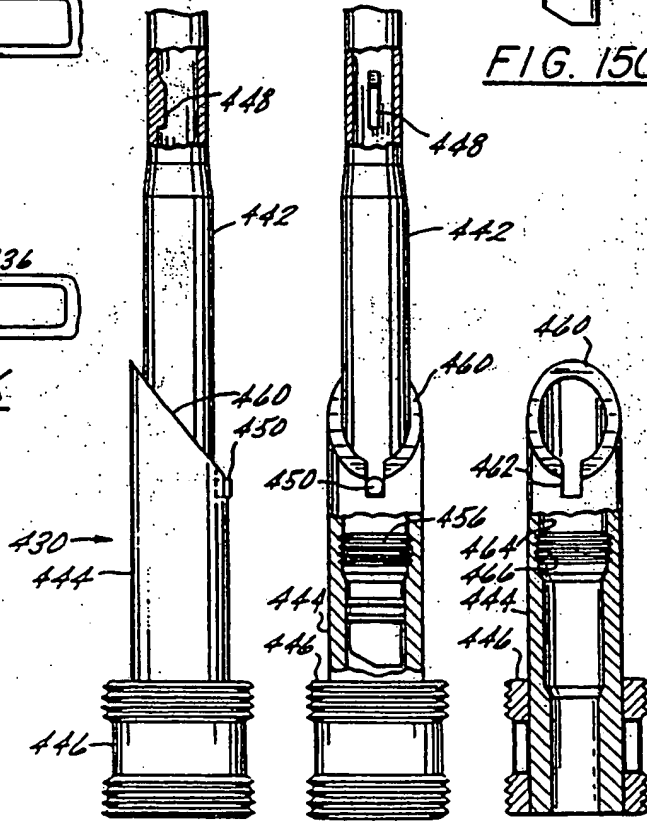


FIG. 15A

FIG. 15B

FIG. 15D

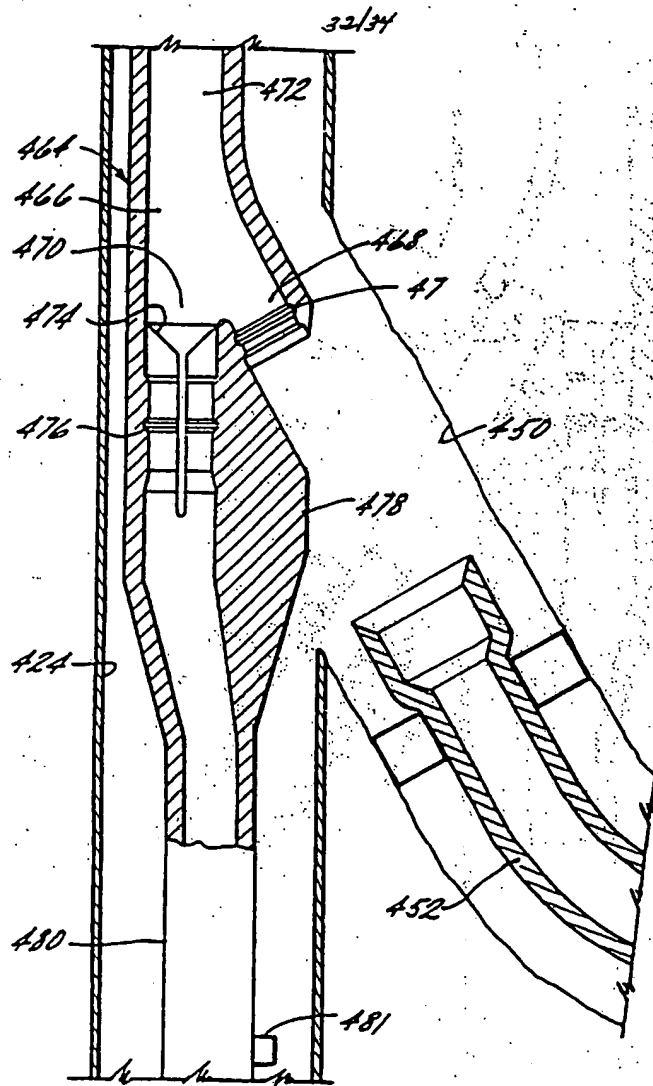


FIG. 16A

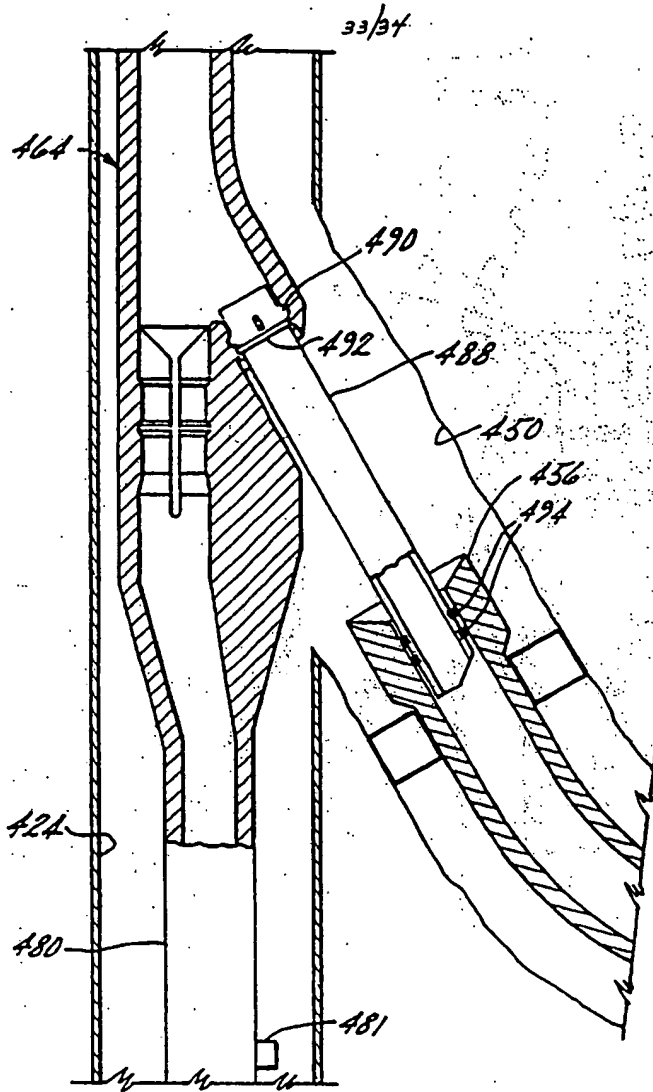


FIG. 16C

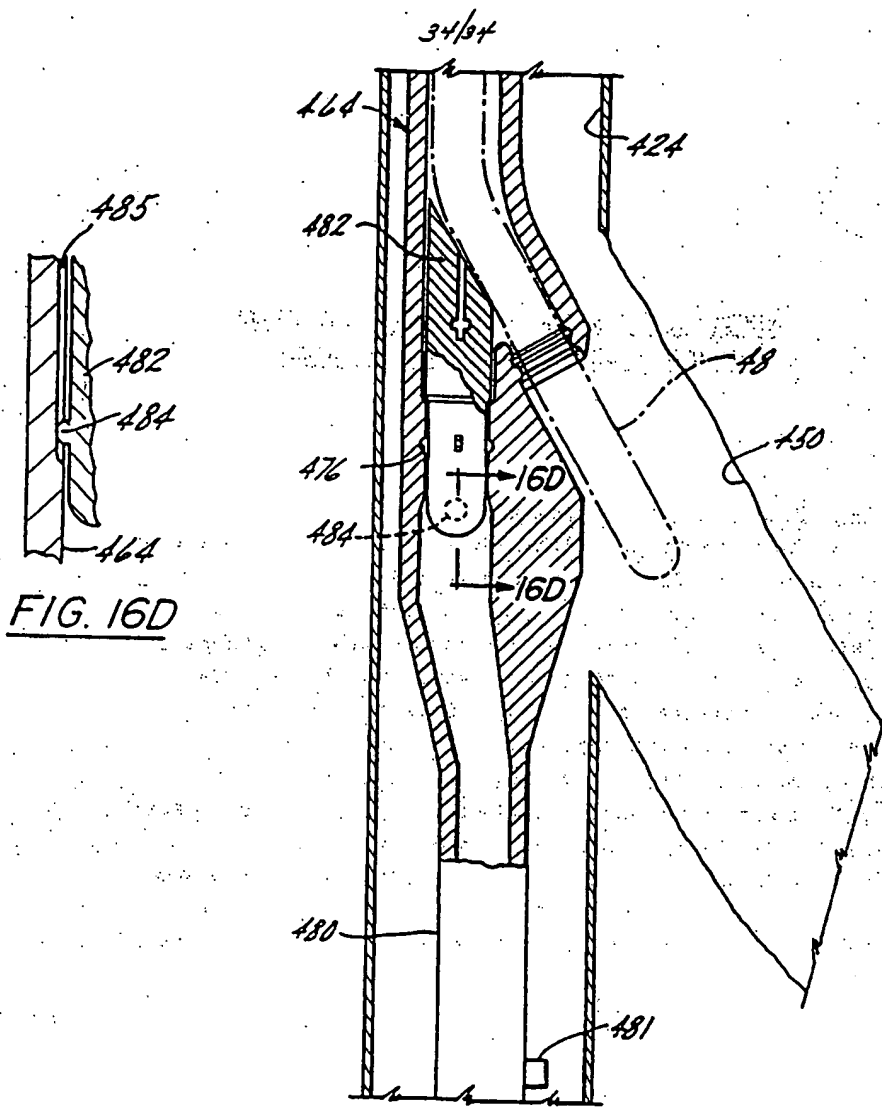


FIG. 16B

2297988

METHOD & APPARATUS FOR LOCATING & RE-ENTERING ONE
OR MORE HORIZONTAL WELLS USING WHIPSTOCKS

Background of the Invention:

This invention relates generally to the completion of lateral wellbores. More particularly, this invention relates to new and improved methods and devices for completion of a branch wellbore extending laterally from a primary well which may be vertical, substantially vertical, inclined or even horizontal. This invention finds particular utility in the completion of multilateral wells, that is, downhole well environments where a plurality of discrete, spaced lateral wells extend from a common vertical wellbore.

Horizontal well drilling and production have been increasingly important to the oil industry in recent years. While horizontal wells have been known for many

years, only relatively recently have such wells been determined to be a cost effective alternative (or at least companion) to conventional vertical well drilling. Although drilling a horizontal well costs substantially more than its vertical counterpart, a horizontal well frequently improves production by a factor of five, ten, or even twenty in naturally fractured reservoirs. Generally, projected productivity from a horizontal well must triple that of a vertical hole for horizontal drilling to be economical. This increased production minimizes the number of platforms, cutting investment and operational costs. Horizontal drilling makes reservoirs in urban areas, permafrost zones and deep offshore waters more accessible. Other applications for horizontal wells include periphery wells, thin reservoirs that would require too many vertical wells, and reservoirs with coning problems in which a horizontal well could be optimally distanced from the fluid contact.

Horizontal wells are typically classified into four categories depending on the turning radius:

1. An ultra short turning radius is 30-60 cm (1-2 feet); build angle is 45-60 degrees per 30cm (foot).
2. A short turning radius is 6-30 m (20-100 feet); build angle is 2-5 degrees per 30 cm (foot).
3. A medium turning radius is 90-300 m (300-1,000 feet); build angle is 6-20 degrees per 30 m (100 feet).
4. A long turning radius is 300-900 m (1,000-3,000 feet); build angle is 2-6 degrees per 30 m (100 feet).

Also, some horizontal wells contain additional wells extending laterally from the primary vertical wells. These additional lateral wells are sometimes referred to as drainholes and vertical wells containing more than one lateral well are referred to as multilateral wells. Multilateral wells are becoming

increasingly important, both from the standpoint of new drilling operations and from the increasingly important standpoint of reworking existing wellbores including remedial and stimulation work.

5 As a result of the foregoing increased dependence on and importance of horizontal wells, horizontal well completion, and particularly multilateral well completion have been important concerns and have provided (and continue to provide) a host of difficult
10 problems to overcome. Lateral completion, particularly at the juncture between the vertical and lateral wellbore is extremely important in order to avoid collapse of the well in unconsolidated or weakly
15 consolidated formations. Thus, open hole completions are limited to competent rock formations; and even then open hole completion are inadequate since there is no control or ability to re-access (or re-enter the lateral) or to isolate production zones within the well. Coupled with this need to complete lateral wells
20 is the growing desire to maintain the size of the wellbore in the lateral well as close as possible to the size of the primary vertical wellbore for ease of drilling and completion.

25 Conventionally, horizontal wells have been completed using either slotted liner completion, external casing packers (ECP's) or cementing techniques. The primary purpose of inserting a slotted liner in a horizontal well is to guard against hole collapse. Additionally, a liner provides a convenient
30 path to insert various tools such as coiled tubing in a horizontal well. Three types of liners have been used namely (1) perforated liners, where holes are drilled in the liner, (2) slotted liners, where slots of various width and depth are milled along the line
35 length, and (3) prepacked liners.

Slotted liners provide limited sand control through selection of hole sizes and slot width sizes. However, these liners are susceptible to plugging. In unconsolidated formations, wire wrapped slotted liners have been used to control sand production. Gravel packing may also be used for sand control in a horizontal well. The main disadvantage of a slotted liner is that effective well stimulation can be difficult because of the open annular space between the liner and the well. Similarly, selective production (e.g., zone isolation) is difficult.

Another option is a liner with partial isolations. External casing packers (ECPs) have been installed outside the slotted liner to divide a long horizontal well bore into several small sections.

This method provides limited zone isolation, which can be used for stimulation or production control along the well length. However, ECP's are also associated with certain drawbacks and deficiencies. For example, normal horizontal wells are not truly horizontal over their entire length, rather they have many bends and curves. In a hole with several bends it may be difficult to insert a liner with several external casing packers.

Finally, it is possible to cement and perforate medium and long radius wells as shown, for example, in U.S. Patent 4,436,165.

While sealing the juncture between a vertical and lateral well is of importance in both horizontal and multilateral wells, re-entry and zone isolation is of particular importance and pose particularly difficult problems in multilateral wells completions.

Re-entering lateral wells is necessary to perform completion work, additional drilling and/or remedial and stimulation work. Isolating a lateral well from

other lateral branches is necessary to prevent migration of fluids and to comply with completion practices and regulations regarding the separate production of different production zones. Zonal isolation may also be needed if the borehole drifts in and out of the target reservoir because of insufficient geological knowledge or poor directional control; and because of pressure differentials in vertically displaced strata as will be discussed below.

When horizontal boreholes are drilled in naturally fractured reservoirs, zonal isolation is being seen as desirable. Initial pressure in naturally fractured formations may vary from one fracture to the next, as may the hydrocarbon gravity and likelihood of coning. Allowing them to produce together permits crossflow between fractures and a single fracture with early water breakthrough, which jeopardizes the entire well's production.

As mentioned above, initially horizontal wells were completed with uncemented slotted liner unless the formation was strong enough for an open hole completion. Both methods make it difficult to determine producing zones and, if problems develop, practically impossible to selectively treat the right zone. Today, zonal isolation is achieved using either external casing packers on slotted or perforated liners or by conventional cementing and perforating.

The problem of lateral wellbore (and particularly multilateral wellbore) completion has been recognized for many years as reflected in the patent literature. For example, U.S. Patent 4,807,704 discloses a system for completing multiple lateral wellbores using a dual packer and a deflective guide member. U.S. Patent 2,797,893 discloses a method for completing lateral wells using a flexible liner and deflecting tool.

Patent 2,397,070 similarly describes lateral wellbore completion using flexible casing together with a closure shield for closing off the lateral. In Patent 2,858,107, a removable whipstock assembly provides a means for locating (e.g., re-entry) a lateral subsequent to completion thereof. Patent 3,330,349 discloses a mandrel for guiding and completing multiple horizontal wells. U.S. Patent Nos. 4,396,075; 4,415,205; 4,444,276 and 4,573,541 all relate generally to methods and devices for multilateral completions using a template or tube guide head. Other patents of general interest in the field of horizontal well completion include U.S. Patent Nos. 2,452,920 and 4,402,551.

Notwithstanding the above-described attempts at obtaining cost effective and workable lateral well completions, there continues to be a need for new and improved methods and devices for providing such completions, particularly sealing between the juncture of vertical and lateral wells, the ability to re-enter lateral wells (particularly in multilateral systems) and achieving zone isolation between respective lateral wells in a multilateral well system.

Summary of the Invention:

The above-discussed and other drawbacks and deficiencies of the prior art are overcome or alleviated by the several methods and devices of the present invention for completion of lateral wells and more particularly the completion of multilateral wells. In accordance with the present invention, a plurality of methods and devices are provided for solving important and serious problems posed by lateral (and especially multilateral) completion including:

1. Methods and devices for sealing the junction between a vertical and lateral well.

2. Methods and devices for re-entering selected lateral wells to perform completions work, additional drilling, or remedial and stimulation work.

3. Methods and devices for isolating a lateral well from other lateral branches in a multilateral well so as to prevent migration of fluids and to comply with good completion practices and regulations regarding the separate production of different production zones.

In accordance with the several methods of the present invention relating to juncture sealing, a first set of embodiments are disclosed wherein deformable means are utilized to selectively seal the juncture between the vertical and lateral wells. Such deformable means may comprise (1) an inflatable mold which utilizes a hardenable liquid (e.g., epoxy or cementitious slurry) to form the seal; (2) expandable memory metal devices; and (3) swaging devices for plastically deforming a sealing material.

In a second set of embodiments relating to juncture sealing in single or multilateral wells, several methods are disclosed for improved juncture sealing including novel techniques for establishing pressure tight seals between a liner in the lateral wellbore and a liner in the vertical wellbore. These methods generally relate to the installation of a liner to a location between the vertical and lateral wellbores such that the vertical wellbore is blocked. Thereafter, at least a portion of the liner is removed to reopen the blocked vertical wellbore.

In a third set of embodiments for juncture sealing, several methods are disclosed which utilize a novel guide or mandrel which includes side pockets for directing liners into a lateral wellbore. Other

methods include the use of extendable tubing and deflector devices which aid in the sealing process.

In a fourth set of embodiments, various methods and devices are provided for assisting in the location and re-entry of lateral wells. Such re-entry devices include permanent or retrievable deflector (e.g., whipstock) devices having removable sealing means disposed in a bore provided in the deflector devices. Another method includes the use of inflatable packers.

In a fifth set of embodiments, additional methods and devices are described for assisting in the location and re-entry of lateral wells using a guide or mandrel structure. Preferably, the re-entry methods of this invention permit the bore size of the lateral wells to be maximized.

In a sixth set of embodiments, various methods and devices are provided for fluid isolation of a lateral well from other lateral wells and for separate production from a lateral well without commingling the production fluids. These methods include the aforementioned use of a side pocket mandrel, whipstocks with sealable bores and valving techniques wherein valves are located at the surface or downhole at the junction of a particular lateral.

It will be appreciated that many of the methods and devices described herein provide single lateral and multilateral completion techniques which simultaneously solve a plurality of important problems now facing the field of oil well completion and production. For example, the side pocket mandrel device simultaneously provides pressure tight sealing of the junction between a vertical and lateral well, provides a technique for easy re-entry of selected lateral wells and permits zone isolation between multilateral wellbores.

The above-discussed and other features and advantages of the present invention will be appreciated to those skilled in the art from the following detailed description and drawings.

5 Brief Description of the Drawings:

Referring now to the drawings, wherein like elements are numbered alike in the several FIGURES:

10 FIGURES 1A-B are sequential cross-sectional elevation views depicting a method for sealing a juncture between a vertical and lateral wellbore using deformable sealing means comprising an inflatable mold;

FIGURE 2A is a cross-sectional elevation view of a deformable dual bore assembly for sealing a juncture between vertical and lateral wellbores;

15 FIGURE 2B is a cross-sectional elevation view along the line 2B-2B;

FIGURE 2C is a cross-sectional elevation view, similar to FIGURE 2B, but subsequent to deformation of the dual bore assembly;

20 FIGURE 2D is a cross-sectional elevation view of the dual bore assembly of FIGURE 2A after installation at the juncture of a lateral wellbore;

25 FIGURES 3A-C are sequential cross-sectional elevation views depicting a method for sealing a juncture between vertical and lateral wellbores using deformable flanged conduits;

30 FIGURES 4A-D are sequential cross-sectional views depicting a method for multilateral completion using a ported whipstock device which allows for sealing the juncture between vertical and lateral wells, re-entering of multilaterals and zone isolation;

FIGURES 5A-I are sequential cross-sectional elevation views depicting a method for multilateral completion using a whipstock/packer assembly for cementing in a liner and then selectively milling to create the sealing of the juncture between vertical and lateral wells and re-entering of multilaterals;

FIGURES 6A-C are sequential cross-sectional elevation views depicting a method for multilateral completion using a novel side pocket mandrel for providing sealing of the juncture between vertical and lateral wells, re-entering of multilaterals and zone isolation for new well completion;

FIGURES 7A-D are sequential cross-sectional elevation views depicting a method similar to that of FIGURES 6A-C for completion of existing wells;

FIGURE 8A is a cross-sectional elevation view of a multilateral completion method using a mandrel of the type shown in FIGURES 6A-D for providing sealing junctions, ease of re-entry and zone isolation;

FIGURE 8B is an enlarged cross-sectional view of a portion of FIGURE 8A;

FIGURES 9A-C are sequential cross-sectional elevation views of a multilateral completion method utilizing a mandrel fitted with extendable tubing for providing sealed junctions, ease of re-entry and zone isolation;

FIGURES 10A-B are sequential cross-sectional elevation views of a multilateral completion method similar to the method of FIGURES 9A-C, but utilizing a dual packer for improved zone isolation;

FIGURES 11A-D are sequential cross-sectional elevation views of a multilateral completion head packer assembly for providing sealed junctions, ease of re-entry and zone isolation;

FIGURE 11E is a perspective view of the dual completion head used in the method of FIGURES 11A-D;

FIGURE 12 is a cross-sectional elevation view of a multilateral completion method utilizing an inflatable bridge plug with whipstock anchor for re-entry into a selective lateral wellbore;

FIGURES 13A-B are cross-sectional elevation views of a production whipstock with retrievable sealing bore with the sealing bore inserted in FIGURE 13A and retrieved in FIGURE 13B;

FIGURE 13C is a cross-sectional elevation view of a completion method utilizing the production whipstock of FIGURES 13A-B;

FIGURES 14A-K are cross-sectional elevation views of a multilateral completion method utilizing the production whipstock of FIGURES 13A-B providing selective re-entry in multilateral wellbores and zone isolation;

FIGURES 15A-D are elevation views partly in cross-section depicting an orientation device for the production whipstock of FIGURES 13A-B;

FIGURES 16A-C are sequential cross-sectional views showing in detail the diverter mandrel used in the method of FIGURES 14A-K; and

FIGURE 16D is a cross-sectional elevation view along the line 16D-16D of FIGURE 16B.

Description of the Preferred Embodiment:

In accordance with the present invention, various embodiments of methods and devices for completing lateral, branch or horizontal wells which extend from a single primary wellbore, and more particularly for completing multiple wells extending from a single generally vertical wellbore (multilaterals) are described. It will be appreciated that although the

terms primary, vertical, deviated, horizontal, branch and lateral are used herein for convenience, those skilled in the art will recognize that the devices and methods with various embodiments of the present invention may be employed with respect to wells which extend in directions other than generally vertical or horizontal. For example, the primary wellbore may be vertical, inclined or even horizontal. Therefore, in general, the substantially vertical well will sometimes be referred to as the primary well and the wellbores which extend laterally or generally laterally from the primary wellbore may be referred to as the branch wellbores.

Referring now to FIGURES 1A and B, a method and apparatus is presented for sealing the juncture between a vertical well and one or more lateral wells using a deformable device which preferably comprises an inflatable mold. In accordance with this method, a primary or vertical well 10 is initially drilled. Next, in a conventional manner, a well casing 12 is cemented in place using cement 14. Thereafter, the lower most lateral well 16 is drilled and is completed in a known manner using a liner 18 which attaches to casing 12 by a suitable packer or liner hanger 20. Still referring to FIGURE 1A, in the next step, a window 22 is milled in casing 12 at the site for drilling an upper lateral wellbore. A short lateral (for example 30 feet) is then drilled and opened using an expandable drill to accept a suitably sized casing (for example, 9-5/8").

Referring now to FIGURE 1B, an inflatable mold 24 is then run in primary wellbore 10 to window 22. Inflatable mold 24 includes an inner bladder 26 and an outer bladder 28 which define therebetween an expandable space 30 for receiving a suitable

pressurized fluid (e.g., circulating mud). This
pressurized fluid may be supplied to the gap 30 in
inflatable mold 24 via a suitable conduit 32 from the
surface. Applying pressure to mold 24 will cause the
5 mold to take on a nodal shape which comprises a
substantially vertical conduit extending through casing
12 and a laterally depending branch 34 extending from
the vertical branch 33 and into the lateral 23. The
now inflated mold 24 provides a space or gap 35 between
10 mold 24 and window 22 as well as lateral 23.

Next, a slurry of a suitable hardenable or
settable liquid is pumped into space 35 from the
surface. This hardenable liquid then sets to form a
hard, structural, impermeable bond. A conventional
15 lateral can now be drilled and completed in a
conventional fashion such as, with a 7" liner and using
a hanger sealing in branch 34. It will be appreciated
that many hardenable liquids are well suited for use in
conjunction with inflatable mold 24 including suitable
20 epoxies and other polymers as well as inorganic
hardenable slurries such as cement. After the
hardenable filler has fully set, the inflatable mold 24
may be removed by deflating so as to define a pressure
tight and fluid tight juncture between vertical
25 wellbore 10 and lateral wellbore 23. Inflatable mold
24 may then be reused (or a new mold utilized) for
additional laterals within wellbore 10. Thus,
inflatable mold 24 is useful both in dual lateral
completions as well as in multilaterals having three or
30 more horizontal wells. In addition, it will be
appreciated that the use of inflatable mold 24 is also
applicable to existing wells where re-working is
required and the junction between the vertical and one
or more lateral wells needs to be completed.

Referring now to FIGURES 2A-D, a second embodiment of a device for sealing the juncture between one or more lateral wellbores in a vertical well is depicted. As in the FIGURE 1 embodiment, the FIGURE 2 embodiment uses a deformable device for accomplishing juncture sealing. This device is shown in FIGURES 2A and 2B as comprising a dual bore assembly 36 which includes a primary conduit section 38 and a laterally extending branch 40 angularly extending from primary conduit 38. In accordance with an important feature of this embodiment of the present invention, lateral branch 40 is made of a suitable shape memory alloy such as NiTi-type and Cu-based alloys which have the ability to exist in two distinct shapes or configurations above and below a critical transformation temperature. Such memory shape alloys are well known and are available from Raychem Corporation, Metals Division, sold under the tradename TINEL; or are described in U.S. Patent 4,515,213 and in "Shape Memory Alloys", L. McDonald Schetky, Scientific American, Vol. 241, No. 5, pp. 2-11 (Nov. 1979), both of which are incorporated herein by reference. This shape memory alloy is selected such that as dual bore assembly 36 is passed through a conventional casing as shown at 42 in FIGURE 2D, lateral branch 40 will deform as it passes through the existing casing. The deformed dual bore assembly 36 is identified in FIGURE 2C wherein main branch 40 has deformed and lateral branch 38 has been received into the moon shaped receptacle of deformed branch 40. In this way, deformed bore assembly 36 has an outer diameter equal to or less than the diameter of casing 42 and may be easily passed through the existing casing. A pocket or window 43 is underreamed at the position where a lateral is desired and deformed bore assembly 36 is positioned within window 43 between upper and lower sections of original casing 42.

Next, heat is applied to deformed bore assembly 36 which causes the dual bore assembly 36 to regain its original shape as shown in FIGURE 2D. Heat may be applied by a variety of methods including, for example, circulating a hot fluid (such as steam) downhole, electrical resistance heating or by mixing chemicals downhole which will cause an exothermic reaction. If the lateral well is to be a new wellbore, at that point, the lateral is drilled using conventional means such as positioning a retrievable whipstock below branch 40 and directing a drilling tool into branch 40 to drill the lateral. Alternatively, the lateral may already exist as indicated by the dotted lines 44 whereby the pre-existing lateral will be provided with a fluid tight juncture through the insertion of conventional liner and cementing techniques off of branch 40.

Referring now to FIGURES 3A-C, a method will be described for forming a pressure tight juncture between a lateral and a vertical wellbore is depicted which, like the methods in FIGURE 1 and 2, utilizes a deformation technique to form the fluid tight juncture seal. As in many of the embodiments of the present invention, the method of FIGURES 3A-C may also be used either in conjunction with a new well or with an existing well (which is to be reworked or otherwise re-entered). Turning to FIGURE 3A, a vertical wellbore 10 is drilled in a conventional manner and is provided with a casing 12 cemented via cement 14 to vertical bore 10. Next, a lateral 16 is drilled at a selected location from casing 12 in a known manner. For example, a retrievable whipstock (not shown) may be positioned at the location of the lateral to be drilled with a window 46 being milled through casing 12 and cement 14 using a suitable milling tool. Thereafter,

the lateral 16 is drilled off the whipstock using a suitable drilling tool.

5 In accordance with an important feature of this embodiment, a liner 48 is then run through vertical casing 12 and into lateral 16. Liner 48 includes a flanged element 50 surrounding the periphery thereof which contacts the peripheral edges of window 46 in
10 liner 12. Cement may be added to the space between liner 48 and lateral 16 in a known fashion. Next, a swage or other suitable tool 52 is pulled through the wellbore contacting flanged element 50 and swaging flange 50 against the metal window of casing 12 to form a pressure tight metal-to-metal seal. Preferably,
15 flange 50 is provided with an epoxy or other material so as to improve the sealability between the flange and the vertical well casing 12. Swage 52 preferably comprises an expandable cone swage which has an initial diameter which allows it to be run below the level of
20 the juncture between lateral casing 48 and vertical casing 12 and then is expanded to provide the swaging action necessary to create the metal-to-metal seal between flange 50 and window 46.

Referring now to FIGURES 4A through D, a method of
25 multilateral completion in accordance with the present invention is shown which provides for the sealing of the juncture between a vertical well and multiple horizontal wells, provides ease of re-entry into a selected multiple lateral well and also provides for isolating one horizontal production zone from another
30 horizontal production zone. Turning first to FIGURE 4A, a vertical wellbore is shown at 66 having a lower lateral wellbore 68 and a vertically displaced upper lateral wellbore 70. Lower lateral wellbore 68 has been fully completed in accordance with the method of
35 FIGURES 4A-D as will be explained hereinafter. Upper

lateral wellbore 70 has not yet been completed. In a first completion step, a ported whipstock packer assembly 72 is lowered by drillpipe 73 into a selected position adjacent lateral borehole 70. Ported whipstock packer assembly 72 includes a whipstock 74 having an opening 76 axially therethrough. A packer 78 supports ported whipstock 74 in position on casing 66. Within axial bore 76 is positioned a sealing plug 80. Plug 80 is capable of being drilled or jetted out and therefore is formed of a suitable drillable material, such as aluminum. Plug 80 is retained within bore 76 by any suitable retaining mechanism such as internal threading 82 on axial bore 76 which interlocks with protrusions 84 on plug 80. Protrusions 84 are threaded or anchor latched so as to mate with threads 82 on the interior of whipstock 74.

It will be appreciated that lateral 70 is initially formed by use of a retrievable whipstock which is then removed for positioning of the retrievable ported anchor whipstock assembly 72. It will also be appreciated that whipstock assembly 72 may either be lowered as a single assembly or may be lowered as a dual assembly. As for the latter, the whipstock 74 and retrievable or permanent packer 78 are initially lowered into position followed by a lowering of plug 80 and the latching of plug 80 within the axial bore 76 of whipstock 74. Insertion drillpipe 74 is provided with a shear release mechanism 86 for releasably connecting to plug 80 after plug 80 has been inserted into whipstock 74.

Turning now to FIGURE 4B, a conventional liner or slotted liner 88 is run into lateral 70 after being deflected by whipstock assembly 72. Liner 88 is supported within vertical wellbore 66 using a suitable packer or liner hanger 92 provided with a directional

stabilization assembly 94 such that a first portion of
liner 88 remains within vertical wellbore 66 and a
second portion of liner 88 extends from wellbore 66 and
into the lateral wellbore 70. Preferably, an external
5 casing packer (ECP) such as Baker Service Tools ECP
Model RTS is positioned at the terminal end of liner 88
within lateral opening 70 for further stabilizing liner
88 and providing zone isolation for receiving cement
which is delivered between liner 88 and wellbore 66,
10 70. After cement 94 has hardened, a suitable drilling
motor such as an Eastman drilling motor 96 with a mill
or bit (which preferably includes stabilization fins
98) is lowered through vertical wellbore 66 and axially
aligned with the whipstock debris plug 80 where, as
15 shown in FIGURE 4C, drilling motor 96 drills through
liner 88, cement 94 and debris plug 80 providing a full
bore equal to the internal diameter of the whipstock
assembly and retrievable packer 78. It will be
appreciated that debris plug 80 is important in that it
20 prevents any of the cement and other debris which has
accumulated from the drilling of lateral opening 70 and
the cementing of liner 88 from falling below into the
bottom of wellbore 66 and/or into other lateral
wellbores such as lateral wellbore 68.

25 Referring now to FIGURE 4D, it will be appreciated
that the multilateral completion method of this
embodiment provides a pressure tight junction between
the multilateral wellbore 70 and the vertical wellbore
66. In addition, selective tripping mechanisms may be
30 used to enter a selected multilateral wellbore 70 or 68
so as to ease re-entry into a particular lateral. For
example, in FIGURE 4D, a selective coiled tubing
directional head is provided with a suitably sized and
dimensioned head such that it will not enter the
35 smaller diameter whipstock opening 76 but instead will

be diverted in now completed (larger diameter) multilateral 70. Head 100 may also be a suitably inflated directional head mechanism. An inflated head is particularly preferred in that depending on the degree of inflation, head 100 could be directed either into lateral wellbore 70 or could be directed further down through axial bore 76 into lower lateral 68 (or some other lateral not shown in the FIGURES). A second coil tubing conduit 102 is dimensioned to run straight through whipstock bore 76 and down towards lower lateral 68 or to a lower depth.

It will be appreciated that while the coil tubing 100, 102, may have varied sized heads to regulate re-entry into particular lateral wellbores, the whipstock axial bore 76 and 104 may also have varied inner diameters for selective re-entering of laterals. In any event, the multilateral completion scheme of FIGURES 4A-D provides an efficient method for sealing the juncture between multilateral wellbores and a common vertical well; and also provides for ease of re-entry using coiled tubing or other selective re-entry means. Additionally, as is clear from a review of the several conduits 106 and 108 extending downwardly from the surface and selectively extending to different laterals, this multilateral completion scheme also provides effective zone isolation so that separate multilaterals may be individually isolated from one another for isolating production from one lateral zone to another lateral zone via the discrete conduits 106, 108.

It will further be appreciated that the embodiment of FIGURES 4A-D may be used both in conjunction with a newly drilled well or in a pre-existing well wherein the laterals are being reworked, undergo additional drilling or are used for remedial and stimulation work.

Turning now to FIGURES 5A-H, still another embodiment of the present invention is shown which provides a pressure tight junction between a vertical casing and a lateral liner and also provides a novel method for re-entering multiple horizontal wells. In FIGURE 5A, a vertical wellbore 110 has been drilled and a casing 112 has been inserted therein in a known manner using cement 114 to define a cemented well casing. Next in FIGURE 5B, a whipstock packer 116 such as is available from Baker Oil Tools and sold under the trademark "DW-1" is positioned within casing 112 at a location where a lateral is desired. Turning now to FIGURE 5C, a whipstock 118 is positioned on whipstock packer 116 and a mill 120 is positioned on whipstock 118 so as to mill a window through casing 112 (as shown in FIGURE 5D). Preferably, a protective material 124 is delivered to the area surrounding whipstock 118. Protective material 124 is provided to avoid cuttings (from cutting through window 122) from building up on whipstock assembly 118. Protective material 124 may comprise any suitable heavily jelled fluid, thixotropic grease, sand or acid soluble cement. The protective materials are placed around the whipstock and packer assembly prior to beginning window cutting operations. This material will prevent debris from lodging around the whipstock and possibly hindering its retrieval. The protective material is removed prior to recovering the whipstock. After window 122 is milled using mill 120, a suitable drill (not shown) is then deflected by whipstock 118 into window 22 whereupon lateral borewell 126 is formed as shown in FIGURE 5D.

Next, referring to FIGURE 5E, a liner 128 is run down casing 112 and into lateral borewell 126. Liner 128 terminates at a guide shoe 130 and may optionally include an ECP and stage collar 132, a central

stabilizing ring 134 and an internal circulating string 136. Next, as shown in FIGURE 5F, cement is run into lateral 126 thereby cementing liner 128 in position within window 122. As in the embodiment of FIGURE 4, it is important that liner 128 be positioned such that a portion of the liner is within vertical casing 112 and a portion of the liner extends from vertical casing 112 into lateral borewell 126. The cement 138 fills the gap between the junction of lateral 126 and vertical casing 112 as shown in FIGURE 5F. Note that a suitable liner hanger packer may support the upper end of liner 128 in vertical casing 112. However, in accordance with an advantageous feature of this invention, liner 128 may not even require a liner hanger. This is because the length of liner 128 required to go from vertical (or near vertical) to horizontal is relatively short. The bulk of the liner is resting on the lower side of the wellbore. The weight of the upper portion of liner 128 which is in the build section is thus transferred to the lower section. Use of an ECP or cementing of the liner further reduces the need for traditional liner hangers. After the cement has hardened, the liner running tool is removed (FIGURE 5G) and as shown in FIGURE 5H, a thin walled mill 142 mills through that portion of liner 128 and cement 138 which is positioned within the diameter of vertical casing 112. Mill 142 includes a central axial opening which is sized so as to receive retrievable whipstock 118 without damaging whipstock 118 as shown in FIGURE 5H. As an alternative, a conventional mill 142 may be used which would not only mill through a portion of liner 128 and cement 138, but also mill through whipstock 118 and whipstock packer 116. After mill 142 is removed, a pressure tight junction between vertical casing 112 and lateral casing

128 has been provided with an internal diameter equivalent to the existing vertical casing 112 as shown in FIGURE 5I.

5 Preferably, the thin walled mill 142 having the axial bore 144 for receiving whipstock 118 is utilized in this embodiment. This allows for the whipstock packer assembly remain undamaged, and be removed and reinserted downhole at another selected lateral junction for easy re-entry of tools for reworking and other remedial applications.

10 Referring now to FIGURES 6A-C and 7A-C, still another embodiment of the present invention is depicted wherein a novel side pocket mandrel apparatus (sometimes referred to as a guide means) is used in connection with either a new well or existing well for providing sealing between the junction of a vertical well and one or more lateral wells, provides re-entering of multiple lateral wellbores and also provides zone isolation between respective
15 multilaterals. FIGURES 6A-C depict this method and apparatus for a new well while FIGURES 7A-C depict the same method and apparatus for use in an existing well. Referring to FIGURE 6A, the wellbore 146 is shown after conventional drilling. Next, referring to FIGURE 6B, a
20 novel side pocket or sidetrack mandrel 148 is lowered from the surface into borehole 146 and includes vertically displaced housings (Y sections) 150. One branch of each Y section 150 continues to extend downwardly to the next Y section or to a lower portion
25 of the borehole. The other branch 154 terminates at a protective sleeve 156 and a removable plug 158. Attached to the exterior of mandrel 148 and disposed directly beneath branch 154 is a built-in whipstock or deflector member 160. It will be appreciated that each
30 branch 154 and its companion whipstock 160 are
35

preselectively positioned on mandrel 148 so as to be positioned in a location wherein a lateral borehole is desired.

Turning now to FIGURE 6C, cement 161 is then pumped downhole between mandrel 148 and borehole 146 so as to cement the entire mandrel within the borehole. Next, a known bit diverter tool 162 is positioned in Y branch 152 which acts to divert a suitable mill (not shown) into Y branch 154. Plug 158 is removed and this mill contacts whipstock 160 where it is diverted into and mills through cement 161. Next, in a conventional manner, a lateral 164, 164' is drilled. Thereafter, a lateral liner 166 is positioned within lateral wellbore 164 and retained within the junction between lateral 164 and branch 154 using an inflatable packer such as Baker Service Tools Production Injection Packer Product No. 300-01. The upper portion of liner 166 is provided with a seal assembly 170. This series of steps are then repeated for each lateral wellbore.

It will be appreciated that the multilateral completion scheme of FIGURES 6A-C provides an extremely strong seal between the junction of a multilateral borewell and a vertical borewell. In addition, using a bit diverter tool 152, tools and other devices may be easily and selectively re-entered into a particular borehole. In addition, zone isolation between respective laterals are easily accomplished by setting conventional plugs in a particular location.

Turning now to FIGURES 7A-D, an existing well is shown at 170 having an original production casing 172 cemented in place via cement 174. In accordance with the method of this embodiment, selected portions of the original production casing and cement are milled and underreamed at vertically displaced locations as identified at 176 and 178 in FIGURE 7B. Next, a

mandrel 148' of the type identified at 148 in FIGURES 6A-C is run into casing 177 and supported in place using a liner hanger 176. An azimuth survey is taken and the mandrel 148' is directionally oriented so that branches 154' will be oriented in the right position and vertical depth. Next, cement 179 is loaded between mandrel 148' and casing 172. It will be appreciated that the underreamed sections will provide support for mandrel 148' and will also allow for the drilling of laterals as will be shown in FIGURE 7D. Next, as discussed in detail with regard to FIGURE 6C, a diverter tool (162 in FIGURE 6C) is used in conjunction with built-in whipstock 160' to drill one or more laterals and thereafter provide a lateral casing using the same method steps as described with regard to FIGURE 6C. The final completed multilateral for an existing well using a side pocket mandrel 148' is shown in FIGURE 7D wherein the juncture between the several laterals and the vertical wellbore are tightly sealed, each lateral is easily re-entered for rework and remedial and stimulation work, and the several multilaterals may be isolated for separating production zones.

Turning now to FIGURES 8A and 8B, an alternative mandrel configuration similar to the mandrel of FIGURES 6 and 7 is shown. In FIGURES 8A and 8B, a mandrel is identified at 180 and is supported within the casing 182 of a vertical wellbore by a packer hanger 184 such as Baker Oil Tools Model "D". Mandrel 180 terminates at a whipstock anchor packer 186 (Baker Oil Tools "DW-1" and is received by an orientation lug or key 188. Orientation lug 188 hangs from packer 186. Preferably, a blanking plug 192 is inserted within nipple profile 190 for isolating lower lateral 194. Orientation lug 188 is used to orient mandrel 180 such that a lateral diverter portion 196 is oriented towards

a second lateral 198. Before mandrel 180 is run, lateral 198 is drilled by using a retrievable whipstock (not shown) which is latched into packer 186.

5 Orientation lug 188 provides torsional support for the retrievable whipstock as well as azimuth orientation for the whipstock face. After lateral 198 is drilled, a liner 204 may be run and hung within lateral 198 by a suitable means such as an ECP 199. A polished bore receptacle 201 may be run on the top of liner 198 to
10 tie liner 198 into main wellbore 182 at a later stage.

The retrievable whipstock is then removed from the well and mandrel 180 is then run as described above. A short piece of tubing 203 with seals on both ends may then be run through mandrel 180. The tubing 203 is
15 sealed internally in the diverter portion 196 and in the PBR 201 thus providing pressure integrity and isolation capability for lateral 198. It will be appreciated that lateral 198 may be isolated by use of coil tubing or a suitable plug inserted therein. In
20 addition, lateral 198 may be easily re-entered as was discussed with regard to the FIGURES 6-8 embodiments.

Referring now to FIGURES 9A-C, still another embodiment of a multilateral completion method using a guide means or side track mandrel will be described.
25 FIGURE 9A shows a vertical wellbore 206 having been conventionally completed using casing 208 and cement 210. Lateral wellbore 218 may either be a new lateral or pre-existing lateral. If lateral 218 is new, it is formed in a conventional manner using a whipstock
30 packer assembly 212 to divert a mill for milling a window 213 through casing 208 and cement 210 followed by a drill for drilling lateral 218. A liner 214 is run into lateral 218 where it is supported therein by ECP 216. Liner 214 terminates at a polished bore
35 receptacle (PBR) 219.

Turning now to FIGURE 9B, a sidetrack mandrel 220 is lowered into casing 208. Mandrel 220 includes a housing 226 which terminates at an extendable key and gauge ring 228, wherein the entire sidetrack mandrel may rotate (about swivel 222) into alignment with the lateral when picked up from the surface with the extendable key 228 engaging window 213. Once mandrel 220 is located properly with respect to lateral 218, packer 224 is set either hydraulically or by other suitable means. Housing 226 includes a laterally extended section which retains tubing 230. Tubing 230 is normally stored within the sidetrack mandrel housing 226 for extension (hydraulically or mechanically) into lateral 218 as will be discussed hereinafter. A seal 232 is provided in housing 226 to prevent fluid inflow from within casing 208. Tube 230 terminates at its upper end at a flanged section 234 which is received by a complementary surface 236 at the base of housing 226. Tube 230 terminates at a lower end at a round nose ported guide 238 which is adjacent a set of seals 240. Port guide 238 may include a removable material 239 (such as zinc) in the ports to permit access into lateral liner 214. After mandrel 220 is precisely in position adjacent lateral 218, tubing 230 is hydraulically or mechanically extended downwardly through housing 226 whereupon head 238 will contact a whipstock diverter 244 which deflects head 238 into PBR 219. Seals 240 will form a fluid tight seal with PBR 218 as shown in FIGURE 9C. Diverter 242 may then be run to divert tools into lateral 218. Alternatively, a known kick-over tool may be used to divert tools into lateral 218.

Extendable tubing 230 is an important feature of this invention as it provides a larger diameter opening than is possible if the tubular connection between the

lateral and side track mandrel is run-in from the surface through the internal diameter of a workstring.

As shown in FIGURE 9C, the completion method described herein provides a sealed juncture between a lateral 218 and a vertical casing 208 via tubing 230 and also allows for re-entry into a selected lateral using a diverter 242 or kick-over tool for selective re-entry into tubing 230 and hence into lateral liner 214. In addition, zone isolation may be obtained by appropriate plugging of tube 230 or by use of a blanking plug below the packer.

The embodiment of FIGURES 10A-B is similar to the embodiments of FIGURES 9A-C with the difference primarily residing in improved zone isolation with respect to the FIGURE 10 embodiment. That is, the FIGURE 10 embodiment utilizes a dual packer assembly 246 together with a separated running string 248 (as opposed to the shorter (but typically larger diameter) extendable tube 230). Running string 248 includes a pair of shoulders 250 which acts as a stop between a non-sealed position shown in FIGURE 10A and a sealed position shown in FIGURE 10B. The dual packer assembly 246 is positioned as part of a housing 250 which defines a modified side pocket mandrel 252. Mandrel 252 may be rotationally orientated within the vertical casing using any suitable means such as an orientation slot 254 which hangs from a whipstock packer 256. It will be appreciated that the embodiment of FIGURES 10A-B provides improved zone isolation through the use of discrete conduits 248, 248 each of which can extend from distinct multilateral borewells.

Turning now to FIGURES 11A-E, still another embodiment of the present invention is shown wherein multilateral completion is provided using a dual completion head. Turning first to FIGURE 11A, a

vertical wellbore is shown after being cased with casing 278 and cement 294. In accordance with conventional methods, a horizontal wellbore is drilled at 280 and a liner 282 is positioned in the uncased lateral opening 280. Liner 282 is supported in position using a suitable external casing packer such as Baker Service Tools Model RTS Product No. 30107. An upper seal bore 284 such as a polished bore receptacle is positioned at the upper end of liner 282. In FIGURE 11B, a whipstock anchor packer 286 such as Baker Oil Tools "DW-1" is positioned at the base of casing 278 and provided with a lower tubular extension 288 which terminates at seals 290 received in PBR 284.

In FIGURE 11C, a retrievable drilling whipstock 292 is lowered into casing 278 and supported by whipstock anchor packer 286. Next, a second lateral wellbore 293 is drilled in a conventional manner (initially using a mill) to mill through casing 278 and cement 294 followed by a drill for drilling lateral 293. Lateral 293 is then provided with a liner 296, ECP 298 and PBR 300 as was done in the first lateral 280. Thereafter, retrievable whipstock 292 is retrieved from the vertical wellbore and removed to the surface.

In accordance with an important feature of this embodiment, a dual completion head shown generally at 302 in FIGURE 11E is lowered into the vertical wellbore and into whipstock anchor packer as shown in FIGURE 11D. Dual completion head 302 has an upper deflecting surface 304 and includes a longitudinal bore 306 which is offset to one end thereof. In addition, deflecting surface 304 includes a scooped surface 308 which is configured to be a complimentary section of tubing such as the tubing identified at 310 in FIGURE 11D. Thus, a first tubing 312 is stung from the surface through bore

306 of dual completion head 302, through packer 286 and into tubing 288. Similarly, a second tubing 310 is stung from the surface and deflected along scoop 308 of dual completion head 302 where it is received and sealed in PBR 300 via seals 314.

It will be appreciated that the method of FIGURES 11A-D provides sealing of the juncture between one or more laterals in a vertical wellbore and also allows for ease of re-entry into a selected lateral wellbore while permitting zone isolation for isolating one production zone from another with regard to a multilateral wellbore system.

Turning now to FIGURE 12, still another multilateral completion method in accordance with the present invention will now be described which is particularly well-suited for selective re-entry into lateral wells for completions, additional drilling or remedial and stimulation work. In FIGURE 12, a vertical well is conventionally drilled and a casing 316 is cemented via cement 318 to the vertical wellbore 320. Next, lateral wellbores 322, 324 and 326 are drilled in a conventional manner wherein retrievable whipstock packer assemblies (not shown) are lowered to selected areas in casing 316. A window in casing 316 is then milled followed by drilling of the respective laterals. Each of laterals 322, 324 and 326 may then be completed in accordance with any of the methods described above to provide a sealed joint between vertical casing 316 and each respective lateral.

In accordance with the method of the present invention, a process will now be described which allows quick and efficient re-entry into a selected lateral so that the selected lateral may be reworked or otherwise utilized. In accordance with this method, a packer 328 is positioned above a lateral with a tail pipe 330

extending downwardly therefrom. To re-enter any lateral, an inflatable packer with whipstock anchor profile 332 is stabbed downhole and inflated using suitable coil tubing or other means. Whipstock anchor profile 332 is commercially available, for example, Baker Service Tools Thru-Tubing Bridge Plug. Utilizing standard logging techniques in conjunction with the drilling records, whipstock anchor profile 332 may be oriented into alignment with the lateral (for example, lateral 326 as shown in FIGURE 12). Thereafter, the inflatable packer/whipstock 332 may be deflated using coil tubing and moved to a second lateral such as shown in 324 for re-entry into that second lateral.

Referring to FIGURE 13C, still another embodiment of the present invention is shown wherein multilateral completion is accomplished by using a production whipstock 370 having a retrievable sealing plug 372 received in an axial opening 374 through the whipstock. This production whipstock is shown in more detail in FIGURES 13A and B with FIGURE 13A depicting the retrievable plug 372 inserted in the whipstock 370 and FIGURE 13B depicting the retrievable plug 372 having been withdrawn. Whipstock 370 includes a suitable mechanism for removably retaining retrievable plug 372. One example of such a mechanism is the use of threading 376 (see FIGURE 13B) provided in axial bore 374 for latching sealing plug 372 through the interaction of latch and shear release anchors 378. In addition, a suitable locating and orientation mechanism is provided in production whipstock 370 so as to properly orient and locate retrievable plug within axial bore 374. A preferred locating mechanism comprises a locating slot 380 within axial bore 374 and displaced below threading 376. The locating slot is sized and configured so as receive a locating key 382

which is positioned on retrievable sealing plug 372 at a location below latch anchors 378. Sealing plug 372 includes an axial hole 384 which defines a retrieving hole for receipt of a retrieving stinger 386.

5 Retrieving stinger 386 includes one or more J slots (or other suitably configured engaging slots) or fishing tool profile 387 to engage one or more retrieving lugs 388 which extend inwardly towards one another within retrieving hole 384.

10 Retrievable stinger 386 includes a flow-through 390 for washing. Retrievable plug 372 also has an upper sloped surface 392 which will be planar to a similarly sloped annular ring 393 defining the outer upper surface of whipstock 370. In addition, sealable
15 plug 372 includes optional lower seals 396 for forming a fluid tight seal with an axial bore 374 of whipstock 370.

As will be discussed hereinafter, whipstock 370 includes an orientation device 398 having a locator key
20 399. The lowermost section of whipstock 370 includes a latch and shear release anchor 400 for latching into the axial opening of a whipstock packer such as a Baker Oil Tools "DW-1". Below latch and shear release anchor
400 are a pair of optional seals 402.

25 Turning now to FIGURE 13C, a method for multilateral completion using the novel production whipstock of FIGURES 13A-B will now be described. In a first step of this method, a vertical wellbore 404 is drilled. Next, a conventional bottom lateral wellbore
30 406 is then drilled in a conventional manner. Of course, vertical borehole 404 may be cased in a conventional manner and a liner may be provided to lateral wellbore 406. Next, production whipstock 370 with a retrievable plug 372 inserted in the central
35 bore 374 is run down hole and installed at the location

where a second lateral wellbore is desired. It will be appreciated that whipstock 370 is supported within vertical wellbore 404 by use of a suitable whipstock packer such as Baker Oil Tools "DW-1". Next, a second lateral is drilled in the conventional manner, for example, by use of a starting mill shown at 412 in FIGURE 13A being attached to whipstock 370 by shear bolt 414. Starting mill 412 mills through the casing and cement in a known manner whereupon the mill 412 is withdrawn and a drill drills the final lateral borehole 410. Preferably, lateral 410 is provided with a liner 412 positioned in place by an ECP or packer 414 which terminates at a PBR 416.

In the next step, sealable plug 372 is retrieved using retrieving stinger 386 such that whipstock 370 now has an axial opening therethrough to permit exit and entry of a production string from the surface. It will be appreciated that the sealing bore thus acts as a conduit for producing fluids and as a receptacle to accommodate the pressure integrity seal during completion of laterals above the whipstock 370 which in effect protects debris from travelling downwardly through the whipstock into the lower laterals 406.

Preferably, a wye block assembly is then provided onto production string 418. Wye block 420 is essentially similar to housing 150 in the FIGURE 6 embodiment or housing 196 in the FIGURE 8 embodiment or housing 226 in the FIGURE 9 embodiment. In any case, wye block 420 permits selective exit and entry of a conduit or other tool into lateral 410 and into communication with PBR 416. In addition, wye block 420 may be valved to allow shut off of wellbore 410 on a selective basis to permit zone isolation. For purposes of re-entry, a short section of tubing may be run through the eccentric port of the wye block to seal off

the wellbore packer in lateral wellbore 410 followed by sealing of the wye block. This would be appropriate if the production operator did not wish to expose any open hole to production fluids. Also, a separation sleeve may be run through the wye block isolating lateral borewell 410.

It will be appreciated that additional production whipstocks 370 may be used uphole from lateral 410 to provide additional laterals in a multilateral system, all of which may be selectively re-entered and or isolated as discussed. An example of additional a lateral wellbore is shown at 422. Finally, it will be appreciated that while the method of FIGURE 13C was described in conjunction with a new wellbore, the multilateral completion method of FIGURE 13C may also be utilized in conjunction with reworking and completing an existing well wherein the previously drilled laterals (drainholes) are to be re-entered for reworking purposes.

Turning now to FIGURES 14A-K, 15A-D and 16A-C, still another embodiment of this invention for multilateral wellbore completion will be described. As in the method of FIGURE 13C, the method depicted sequentially in FIGURES 14A-K utilize the whipstock assembly with retrievable sealing plug 370 of FIGURES 13A-B. It will be appreciated that while this method will be described in conjunction with a new well, it is equally applicable to multilateral completions of existing wells.

In FIGURE 14A, a vertical well is conventionally drilled and completed with casing 424. Next, a bottom horizontal borehole 426 is drilled, again in a conventional manner (see FIGURE 14B). In FIGURE 14C, a running string 428 runs in an assembly comprising a whipstock anchor/orientation device 430, a whipstock

5 anchor packer (preferably hydraulic) 432, a nipple profile 434 and liner 436. Pressure is applied to running string 428 to set packer 432. A read-out of the orientation is accomplished via a survey tool 438 (see FIGURE 14D) and transmitted to the surface by wireline 440. The running tool is thereafter released (by appropriate pulling of, for example, 30,000 lbs.) and retrieved to the surface.

10 FIGURES 15A-D depict in detail the orientation whipstock/packer device 430. Device 430 comprises a running tool 442 attached sequentially to an orientation device 444 and a packer 446. At an upper end, running tool 442 includes an orientation key 448 for mating with survey tool 438 (see FIGURE 14D). The lower end of tool 442 has a locator key 450 which extends outwardly therefrom. Running tool 442 terminates at a latch-in shear release mechanism 456 (such as is available from Baker Oil Tools, Permanent Packer Systems, Model "E", "K" or "N" Latch-In Shear Release Anchor Tubing Seal Assembly) followed by a pair of seals 458.

15 Orientation device 444 includes an upper sloped annular surface 460. Surface 460 is interrupted by a locator slot 462 which is located and configured to be received by locator key 450. An inner bore 464 of orientation device 444 has a threaded section 466 (preferably left handed square threads). The bottom portion of device 444 is received in packer 446 which preferably is a Baker Oil Tools packer, "DW-1".

20 Referring now to FIGURE 14E, a description of the completion method will now continue. In FIGURE 14E, running tool 442 has been removed so as to leave orientation device in position supported by packer 446. Next, the production whipstock assembly 370 of FIGURE 12A-B is run into casing 424. As discussed

above, assembly 370 includes keyed orienting device 398 (which corresponds to the lower orienting portion of running tool 442) so that assembly 370 will self-orient (with respect to mating orientation device 444) through interaction of locator slot 462 and locator key 399, and thereby latch (by mating latch mechanism 400 to threaded section 376) onto orientation device 444.

FIGURE 14F depicts the milling of a window 448 in casing 424 using a starting mill 412. This is accomplished by applying weight to shear bolt 414. Alternatively, if no starting mill is present on whipstock 370, a running string runs a suitable mill into the borehole in a conventional manner. After a lateral 450 has been drilled, the lateral 450 is completed in a conventional manner using a liner 452 supported by an ECP 454 and terminating at a seal bore 456 (see FIGURE 14G).

Thereafter, as shown in FIGURE 14H, sealable whipstock plug 372 is retrieved using retrieving stinger 386 as was described with regard to the FIGURE 13C embodiment. As a result, production whipstock 370 remains with an open axial bore 374. The resultant assembly in FIGURE 14H provides several alternatives for re-entry, junction sealing and zone isolation. For example, in FIGURE 14I, coiled tubing or threaded tubing 458 is run downhole and either stabbed into bore 374 of whipstock 370 or diverted into engagement with liner 452. Such selective re-entry is possible using suitable size selective devices (e.g., expandable nose diverter 460) as described above with regard to FIGURE 13C. Thus, both wellbores may be produced (or injected into).

Alternatively, as shown in FIGURE 14J, the entire whipstock assembly may be removed from well casing 424 by latching in retrieving tool 462 and pulling

production whipstock 370. Thereafter, with reference to FIGURE 14K, a diverter mandrel 464 is run into casing 424 and mated together with orientation device 444 and packer 446. A whipstock anchor packer or standard packer 447 may be used to support diverter mandrel 464 in well casing 424. As shown in more detail in FIGURES 16A-D, diverter mandrel 464 acts as a guide means in a manner similar to the embodiments shown in FIGURE 6B.

In FIGURE 16A, diverter mandrel 464 comprises a housing 466 having a generally inverted "Y" shape including Y branches 468, 470 and vertical branch 472. Branch 468 is adapted to be oriented towards lateral 450 and branch 470 is oriented toward the lower section of wellbore 424. Preferably, the internal diameter of branch 468 includes a nipple and seal profile 472. Branch 470 includes an orientation slot 474 for a diverter guide as well as a nipple and seal profile 476. Positioned directly below the exit of branch 468 is a diverter member 478. Finally, the lower most portion of mandrel 466 comprises an orientation device 480 and associated locator key 481 analogous to orientation device 398 on whipstock 370.

Mandrel 466 allows for selective re-entry, zone isolation and juncture sealing. In FIGURES 16B and D, a diverter guide 482 is run into slot 474 and locked into nipple profile 476. Diverter guide 482 is substantially similar to removable plug 372 (FIGURE 13B) and, as best shown in FIGURE 16D, is properly oriented by locating a pin 484 from guide 482 in a slot 485 in mandrel 466. In this way, tools are easily diverted into wellbore 450. Alternatively, known kick-over tools may be used (rather than diverter 482) to place tools 485 into lateral 450 for re-entry. It will be appreciated that diverter guide not only allows for re-entry, but also acts to isolate production zones.

In FIGURE 16C, a short section of tubing 488 is shown having latches 490 and first sealing means 492 on one end and second sealing means 494 on the other end. Tubing 488 may be run downhole and diverted into sealing engagement with sealing bore 456 so as to provide a sealed junction and thereby avoid collapse of the formation from obstruction production or re-entry.

While preferred embodiments have been shown and described, various modifications and substitutions may be made thereto without departing from the spirit and scope of the invention. Accordingly, it is to be understood that the present invention has been described by way of illustrations and not limitation.

What is claimed is:

CLAIM 1. A method for locating the intersection between a primary borehole and a first branch borehole wherein the primary borehole includes a casing having an interior space, including the steps of:

5 (1) positioning whipstock means in said interior space, said whipstock means having a bore therethrough to permit the passage of an object from a location in said primary borehole above said whipstock means to a location in said primary borehole below said whipstock means;

10 (2) connecting said whipstock means to said casing so as to position said whipstock means in desired alignment with a branch borehole previously formed or to be formed;

15 (3) selectively permitting passage of an object either through said whipstock means bore or into said branch borehole; and

20 (4) providing removable plug means in said bore of said whipstock means for selectively permitting passage of an object through said bore.

CLAIM 2. The method of claim 1 including the step of: removing said plug means from said bore.

CLAIM 3. The method of claim 2 including the step of: removing said plug means from said bore by retrieving said plug means and returning said plug means to the surface.

CLAIM 4. The method of claim 2 including the step of:
removing said plug means from said bore by
drilling or jetting through said plug means.

CLAIM 5. The method of claim 1 including:
releasably retaining said plug means in said bore.

CLAIM 6. The method of claim 1 including:
orienting said plug means within said bore with
respect to a preselected orientation.

CLAIM 7. The method of claim 1 including the step of:
drilling said branch borehole while said plug
means is positioned in said bore to prevent drilling
debris from falling downhole in said primary borehole
and to guide a drilling device.

CLAIM 8. The method of claim 1 including the step of:
using an upper surface of said whipstock means to
access said branch borehole.

CLAIM 9. The method of claim 8 including a second
branch borehole displaced from said first branch
borehole and including the step of:
repositioning said whipstock means in said
interior space to access said second branch borehole.

CLAIM 10. The method of claim 8 including the step of:
positioning a first string in said bore of said
whipstock means; and
providing a scooped section in said upper surface
to support and divert a second string in said branch
borehole.

CLAIM 11. The method of claim 1 including:
using packer means to support said whipstock means
in said interior space.

CLAIM 12. The method of claim 11 wherein:
said whipstock means is releasably supported in
said packer means.

CLAIM 13. The method of claim 11 including:
orienting said whipstock means within said packer
means with respect to a preselected orientation.

CLAIM 14. The method of claim 8 including the step of:
selectively entering an object into said branch
borehole to perform completion work, additional
drilling, remedial work or stimulation work.

CLAIM 15. A method for locating the intersection between a primary borehole and a first branch borehole wherein the primary borehole includes a casing having an interior space, including the steps of:

- 5 (1) positioning whipstock means in said interior space, said whipstock means having a bore therethrough to permit the passage of an object from a location in said primary borehole above said whipstock means to a location in said primary borehole below said whipstock means;
- 10 (2) connecting said whipstock means to said casing so as to position said whipstock means in desired alignment with a branch borehole previously formed or to be formed;
- 15 (3) selectively permitting passage of an object either through said whipstock means bore or into said branch borehole;
- (4) removing said whipstock means from said interior space; and
- 20 (5) delivering diverter mandrel means into said interior space in desired alignment with the branch borehole.

CLAIM 16. The method of claim 15 wherein said diverter mandrel means includes at least one upper passageway and at least a first and second lower passageway, said first lower passageway being associated with diverter means for diverting an object into said branch borehole.

CLAIM 17. The method of claim 16 wherein:
said diverter mandrel means comprises an inverted Y with said first and second lower passageways defining the branches of the Y.

CLAIM 18. The method of claim 16 wherein:
said second lower passageway receives a diverter guide for diverting objects for entry into said first lower passageway.

CLAIM 19. The method of claim 18 wherein:
said lower passageway is configured to receive and retain said diverter guide.

CLAIM 20. The method of claim 18 wherein:
said diverter guide is retrievable from said lower passageway and acts to isolate the primary borehole downhole of the diverter mandrel means from the branch borehole.

CLAIM 21. The method of claim 16 including:
extendable tube means for connecting said first lower passageway to a liner in said branch borehole.

CLAIM 22. Apparatus for locating the intersection between a primary borehole and a branch borehole, comprising:

5 a casing located in a primary borehole and having an interior space;

whipstock means in said interior space, said whipstock means having a bore therethrough to permit the passage of an object from a location in said primary borehole above said whipstock means to a location in said primary borehole below said whipstock means;

10 connecting means for connecting said whipstock means to said casing so as to position said whipstock means in desired alignment with a branch borehole previously formed or to be formed; and

15 selective passage means for selectively permitting passage of an object through said whipstock means bore or into said branch borehole wherein said selective passage means comprises removable plug means in said bore of said whipstock means for selectively permitting passage of an object through said bore.

20 CLAIM 23. The apparatus of claim 22 wherein said removable plug means includes:

retrieving means for retrieving said plug means and returning said plug means to the surface.

CLAIM 24. The apparatus of claim 22 including:

means for releasably retaining said plug means in said bore.

CLAIM 25. The apparatus of claim 22 including:

means for orienting said plug means within said bore with respect to a preselected orientation.

CLAIM 26. Apparatus for selectively producing fluids from a primary borehole having at least two branch boreholes in flow communication with said primary borehole, comprising:

5 flow control means for selectively establishing fluid communication between at least one of said branch boreholes and said primary borehole and selectively preventing fluid communication between at least one of said branch boreholes and said primary borehole;

10 operating means for selectively operating said flow control means;

wherein said flow control means comprises;

a casing located in said primary borehole and having an interior space;

15 whipstock means in said interior space, said whipstock means having a bore therethrough to permit the passage of an object from a location in said primary borehole above said whipstock means to a location in said primary borehole below said whipstock means;

20 connecting means for connecting said whipstock means to said casing so as to position said whipstock means in desired alignment with one of said branch boreholes previously formed or to be formed; and

25 selective passage means for selectively permitting passage of an object either through said whipstock means bore or through one of said branch boreholes to selectively produce fluids from said branch boreholes.

CLAIM 27. The apparatus of claim 26 wherein said selective passage means comprises:

removable plug means in said bore of said whipstock means for selectively permitting passage of an object through said bore.



The
Patent
Office

45

Application No: GB 9607652.6
Claims searched: 1 to 27

Examiner: David Harrison
Date of search: 23 May 1996

Patents Act 1977
Search Report under Section 17

Databases searched:

UK Patent Office collections, including GB, EP, WO & US patent specifications, in:

UK Cl (Ed.O): E1F (FAB, FCU)

Int Cl (Ed.6): E21B

Other:

Documents considered to be relevant:

Category	Identity of document and relevant passage	Relevant to claims
A	US-5115872 (Brunet et al)	1
A	US 5113938 (Clayton)	1

X	Document indicating lack of novelty or inventive step	A	Documents indicating technological background and/or state of the art.
Y	Document indicating lack of inventive step if combined with one or more other documents of same category.	P	Documents published on or after the declared priority date but before the filing date of this invention.
A	Member of the same patent family	E	Patent documents published on or after, but with priority date earlier than, the filing date of this application.

An Executive Agency of the Department of Trade and Industry

**This Page is Inserted by IFW Indexing and Scanning
Operations and is not part of the Official Record**

BEST AVAILABLE IMAGES

Defective images within this document are accurate representations of the original documents submitted by the applicant.

Defects in the images include but are not limited to the items checked:

- BLACK BORDERS**
- IMAGE CUT OFF AT TOP, BOTTOM OR SIDES**
- FADED TEXT OR DRAWING**
- BLURRED OR ILLEGIBLE TEXT OR DRAWING**
- SKEWED/SLANTED IMAGES**
- COLOR OR BLACK AND WHITE PHOTOGRAPHS**
- GRAY SCALE DOCUMENTS**
- LINES OR MARKS ON ORIGINAL DOCUMENT**
- REFERENCE(S) OR EXHIBIT(S) SUBMITTED ARE POOR QUALITY**
- OTHER:** _____

IMAGES ARE BEST AVAILABLE COPY.

As rescanning these documents will not correct the image problems checked, please do not report these problems to the IFW Image Problem Mailbox.